

70X70X15 mm

KF0715-01 Series



- **Frame** : Plastic Material UL 94V-0
- **Impeller** : Plastic Material UL 94V-0
- **Speed Range** : $\pm 10\%$

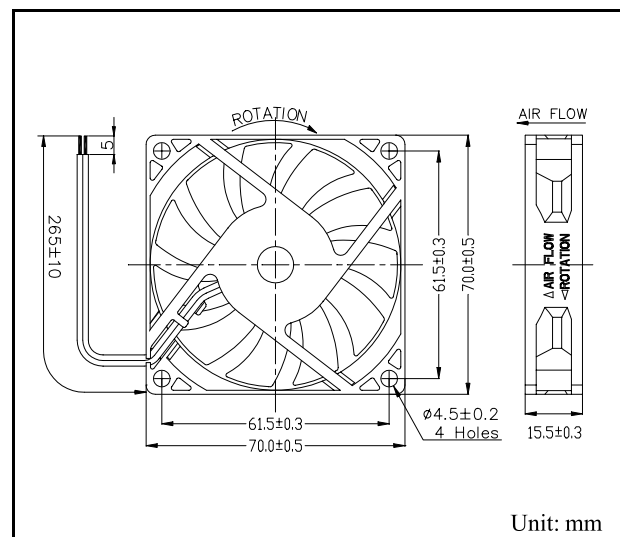
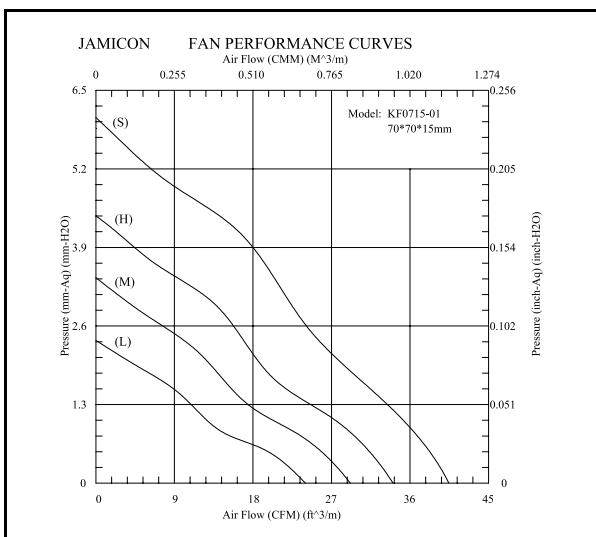
SPECIFICATIONS

Model	Bearing	Rated Voltage (V)	Operating Voltage (V)	Air Flow (CFM)	Static Pressure (inchH ₂ O)	Speed (R.P.M.)	Input Current (Amp)	Input Power (Watt)	Nominal Current (Amp)	Noise (dBA)	Weight (g)
KF0715-1SR01	B, H	12	10.2~13.8	40.45	0.238	5000	0.35	4.20	0.41	41.3	46
KF0715-1HR01	B, H, S			34.05	0.174	4200	0.30	3.60	0.33	37.1	
KF0715-1M-01	B, H, S			29.16	0.134	3600	0.19	2.28	0.21	32.7	
KF0715-1L-01	B, H, S			24.00	0.093	3000	0.12	1.44	0.14	28.2	

Specifications subject to change without notice

The 7TH character of Model No means the bearing code. Please refer to the page "PART NUMBER SYSTEM".

Please contact us for detail if your request bearing system is not shown in the above list.



Unit: mm