

## 30X30X10 mm

## KF0310-01 Series



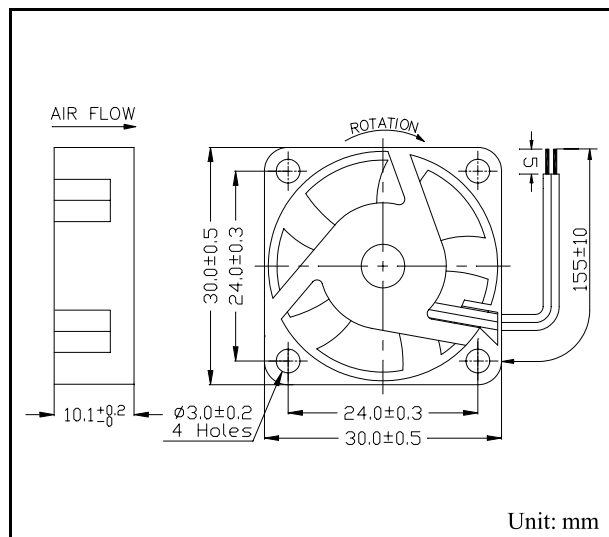
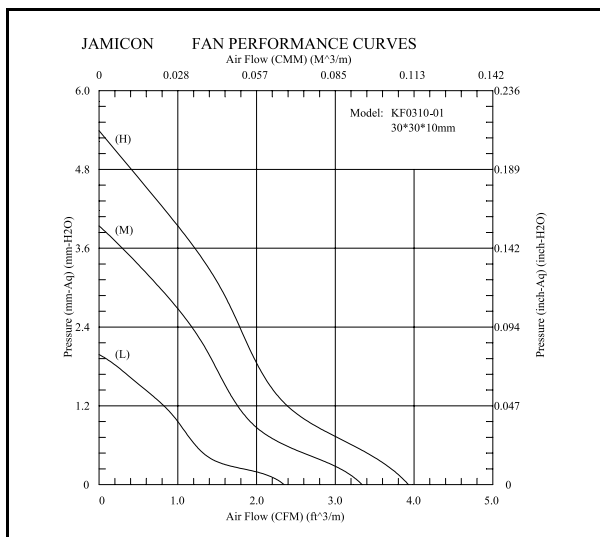
- **Frame** : Plastic Material UL 94V-0
- **Impeller** : Plastic Material UL 94V-0
- **Speed Range** :  $\pm 15\%$

### SPECIFICATIONS

| Model        | Bearing | Rated Voltage (V) | Operating Voltage (V) | Air Flow (CFM) | Static Pressure (inchH <sub>2</sub> O) | Speed (R.P.M.) | Input Current (Amp) | Input Power (Watt) | Nominal Power (Watt) | Noise (dBA) | Weight (g) |
|--------------|---------|-------------------|-----------------------|----------------|--|----------------|---------------------|--------------------|----------------------|-------------|------------|
| KF0310-5HR01 | B, C    | 5                 | 4.25~5.75             | 3.93           | 0.212                                  | 10000          | 0.20                | 1.00               | 1.0                  | 31.6        | 8          |
| KF0310-5MR01 |         |                   |                       | 3.34           | 0.155                                  | 8500           | 0.16                | 0.80               | 0.9                  | 27.4        |            |
| KF0310-5LR01 |         |                   |                       | 2.35           | 0.080                                  | 6000           | 0.08                | 0.40               | 0.5                  | 20.1        |            |
| KF0310S5HR01 | Sleeve  |                   |                       | 3.93           | 0.212                                  | 10000          | 0.20                | 1.00               | 1.1                  | 31.6        |            |
| KF0310S5MR01 |         |                   |                       | 3.34           | 0.155                                  | 8500           | 0.16                | 0.80               | 1.0                  | 27.4        |            |
| KF0310S5LR01 |         |                   |                       | 2.35           | 0.080                                  | 6000           | 0.09                | 0.45               | 0.6                  | 20.1        |            |
| KF0310-1HR01 | B, C    | 12                | 10.2~13.8             | 3.93           | 0.212                                  | 10000          | 0.11                | 1.32               | 1.4                  | 31.6        |            |
| KF0310-1MR01 |         |                   |                       | 3.34           | 0.155                                  | 8500           | 0.08                | 0.96               | 1.3                  | 27.4        |            |
| KF0310-1LR01 |         |                   |                       | 2.35           | 0.080                                  | 6000           | 0.06                | 0.72               | 0.7                  | 20.1        |            |
| KF0310S1HR01 | Sleeve  |                   |                       | 3.93           | 0.212                                  | 10000          | 0.09                | 1.08               | 1.5                  | 31.6        |            |
| KF0310S1MR01 |         |                   |                       | 3.34           | 0.155                                  | 8500           | 0.06                | 0.72               | 1.3                  | 27.4        |            |
| KF0310S1LR01 |         |                   |                       | 2.35           | 0.080                                  | 6000           | 0.04                | 0.48               | 0.7                  | 20.1        |            |

Specifications subject to change without notice

The 7<sup>TH</sup> character of Model No means the bearing code. Please refer to the page "PART NUMBER SYSTEM".  
Please contact us for detail if your request bearing system is not shown in the above list.



Unit: mm