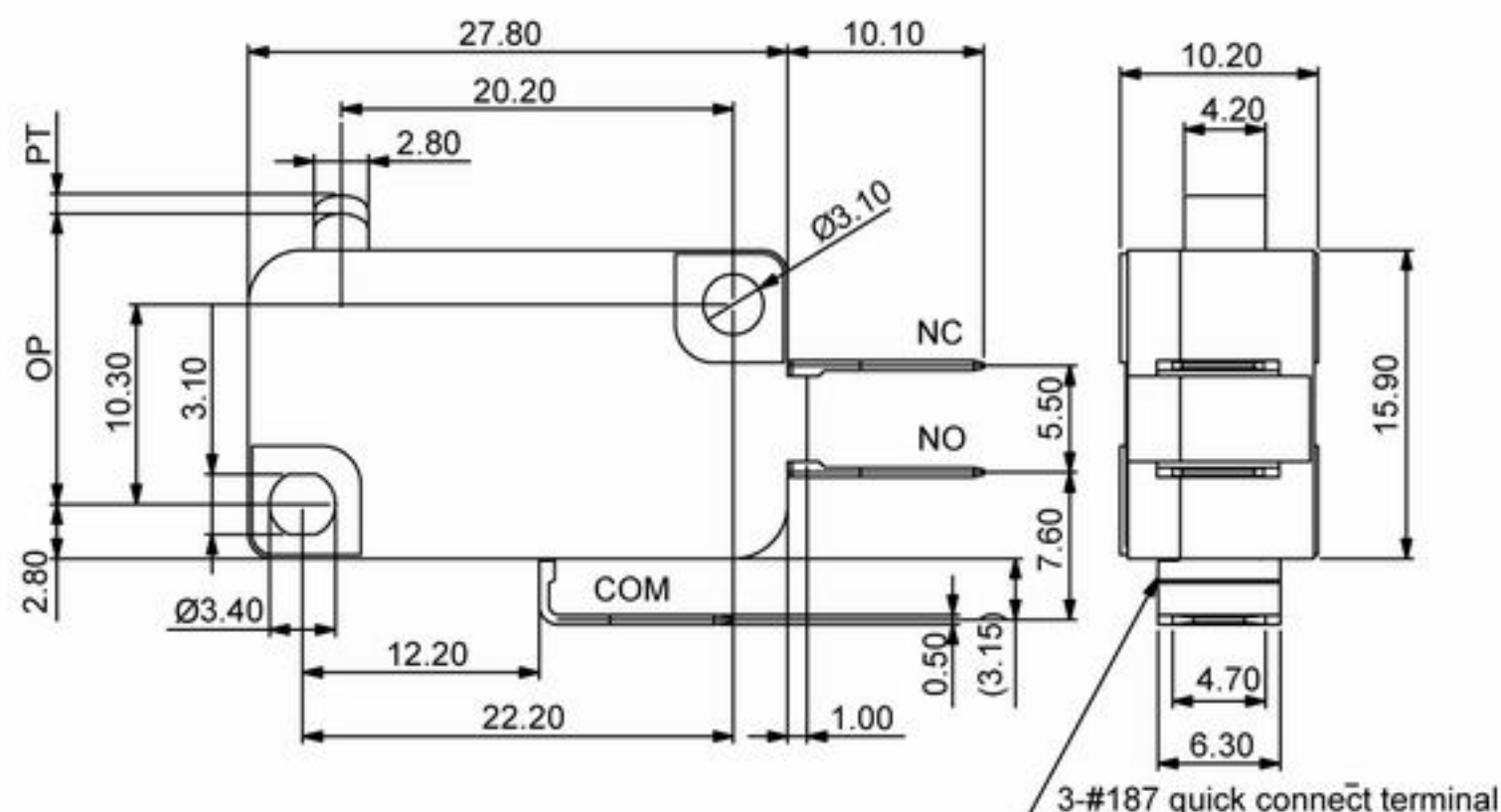


VA1 SERIES

DIMENSIONS (Unless otherwise specified, a tolerance of ±0.4 mm applies to all dimensions.)



SPECIFICATIONS

- Contact Resistance (initial) Max. 300mΩ
- Insulation Resistance (at 500VDC/minute) Min. 100MΩ
- Dielectric Strength 1500VAC (50~ 60Hz)
- Storage Temperature range -25°C to 85°C
- Storage Humidityat 40°C, Max. 85% R.Hurs
- Operating Temperature range -40°C to 125°C
- Vibration 10~55HZ, displacement 0.75mm(p-p)
- Electrical Service Life 0.1A - Min. 1,000,000 operations
3A~26A - Min. 10,000 operations
- Electrical Operating Frequency10~30 operations per minute
- Mechanical Service Life Min. 10,000,000 operations
- Mechanical Operating Frequency 120 operations per minute

CONTACT CONFIGURATION



APPLICATION

Joystick, TVgame, Time recorder,
Air conditioner, Food processor, Juicer
, Alarm, Mixer, Shredder machine.

CERTIFICATE INFORMATION

Model Name	UL, cUL	ENEC14
VA1-P1	0.1A 125/250VAC(Temp:85°C) Min. 50,000 operations	0.1A 125/250VAC, u40T125 1E4
VA1-03	3A 125/250VAC(Temp:85°C) Min. 50,000 operations	3A 125/250VAC, u40T125 1E4
VA1-06	6A 125/250VAC(Temp:85°C) Min. 50,000 operations	6.1(2.5)A 125/250VAC, u40T125 1E4
VA1-10	10A 125/250VAC(Temp:85°C) Min. 50,000 operations	10(4)A 125/250VAC, u40T125 1E4
VA1-16	16.1A 125/250VAC(Temp:85°C) Min. 50,000 operations	16(4)A 125/250VAC, u40T125 1E4
VA1-20H	20A 125/250VAC(Temp:85°C) Min. 20,000 operations	20(4)A 125/250VAC, u40T125 1E4
VA1-26Q	Non	26A 125/250VAC, uT85 1E4

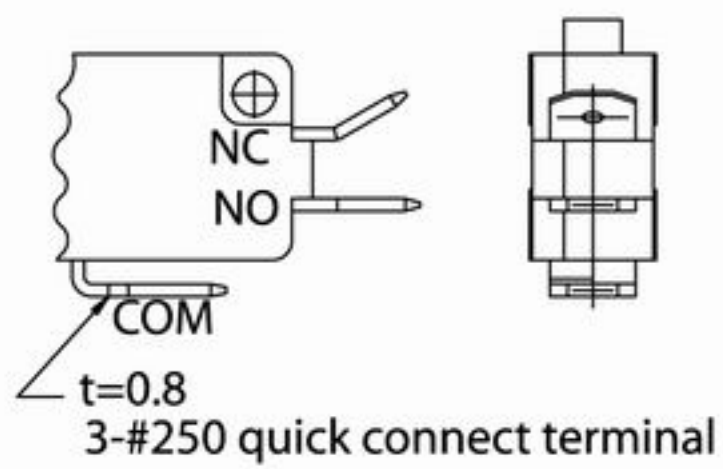
THE SELECTION OF RATING & FORCE

MODEL	Rating	D	J	L	S	H	Q
VA1	0.1A	*	*	*	*	*	
	3A	*	*	*	*	*	
	6A	*	*	*	*	*	
	10A		*	*	*	*	
	16A		*	*	*	*	
	20A					*	
	26A						*

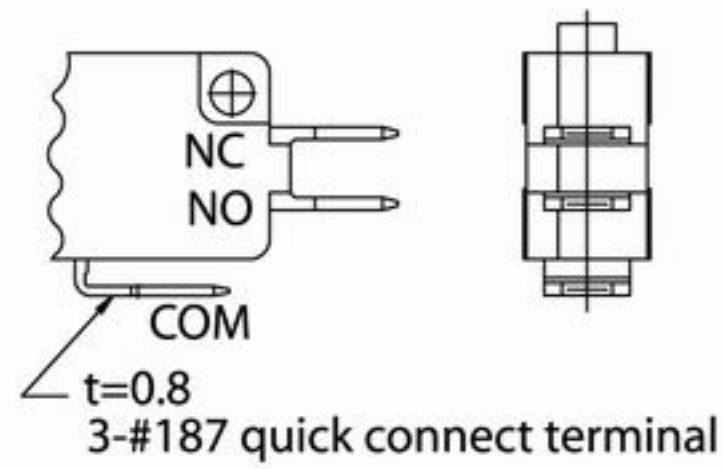
The Symbol "*" to represent the result is accep

TERMINAL TYPES

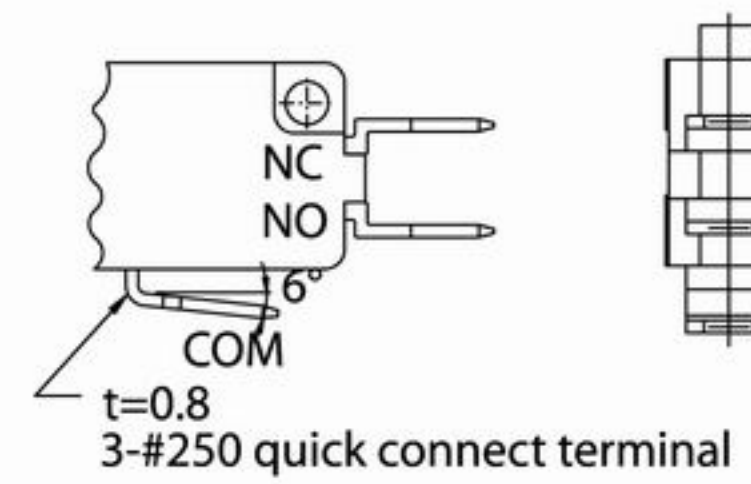
Quick connect terminal
250 Series C TYPE



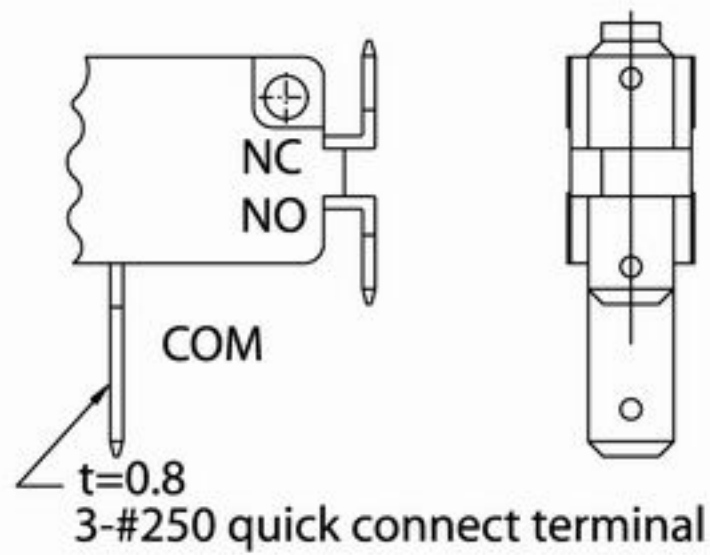
Quick connect terminal
187 Series D TYPE



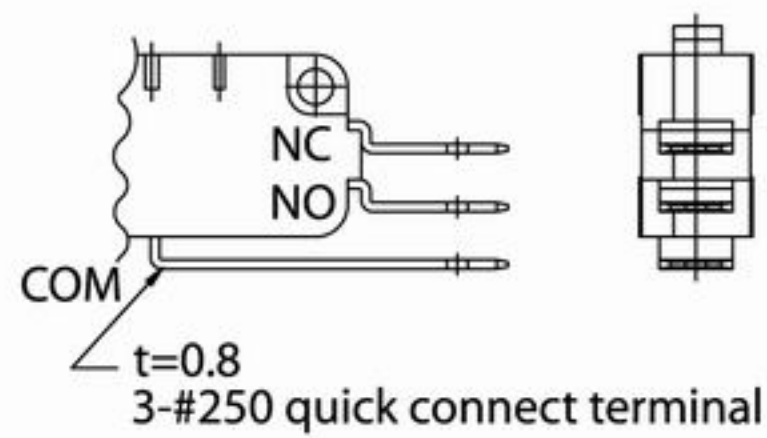
Quick connect terminal
250 Series E TYPE



Quick connect terminal
250 Series F TYPE

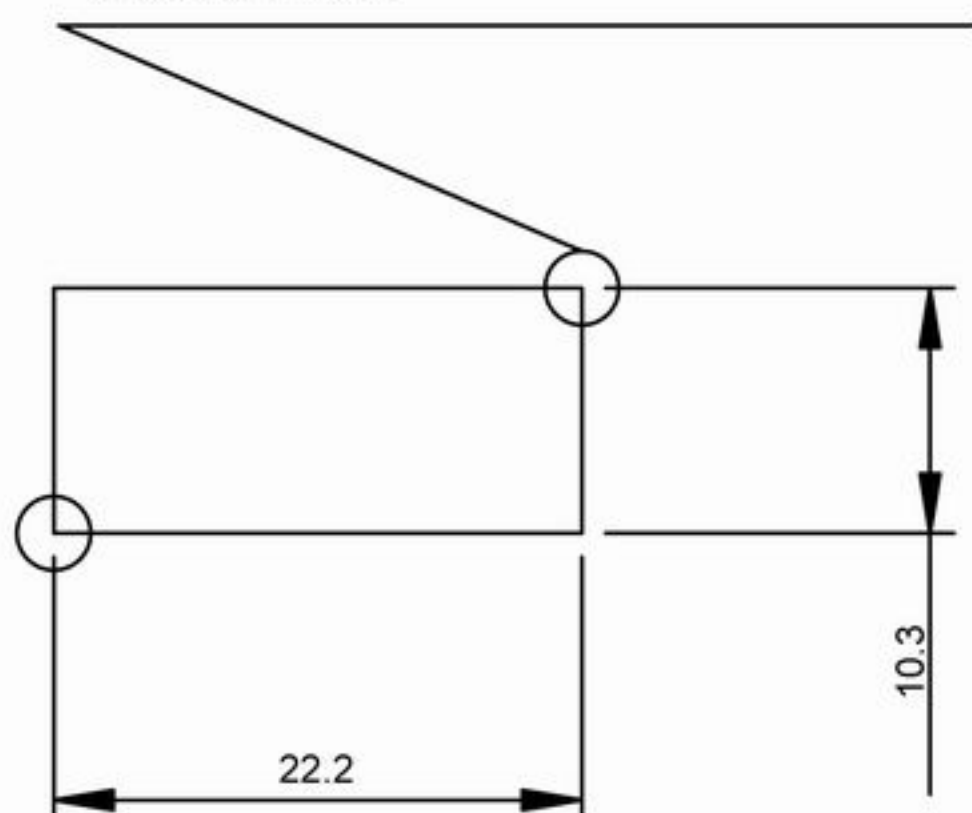


Quick connect terminal
250 Series G TYPE

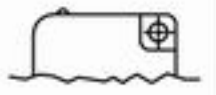
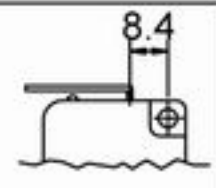
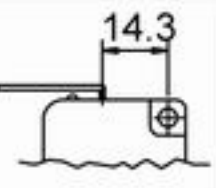


MOUNTING HOLES

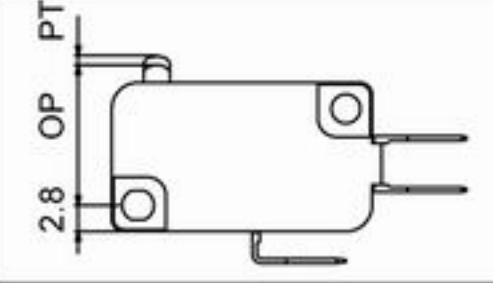
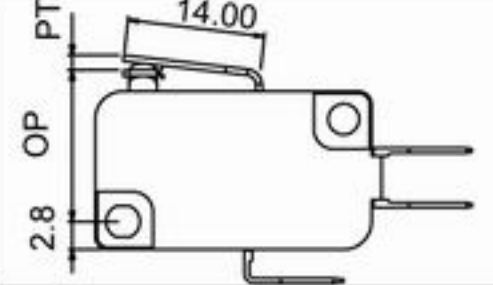
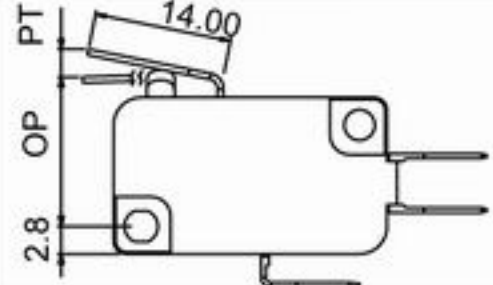
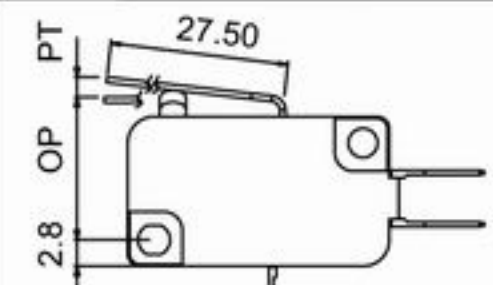
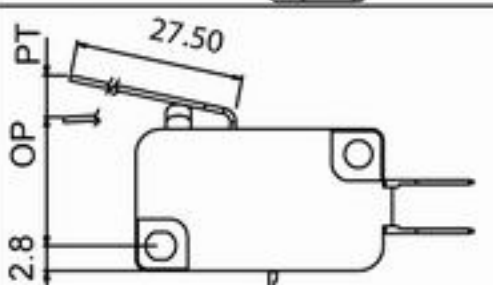
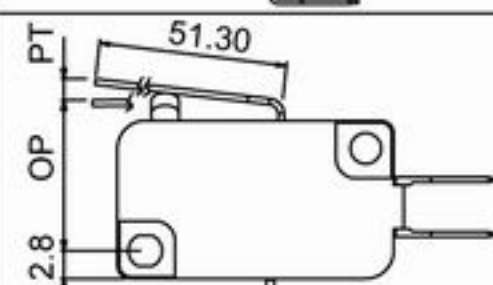
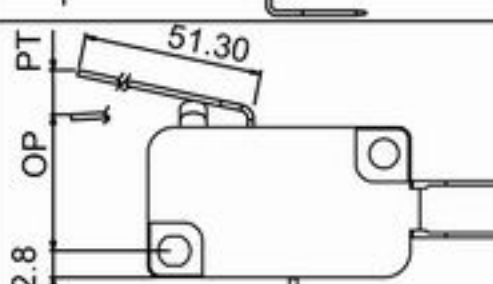
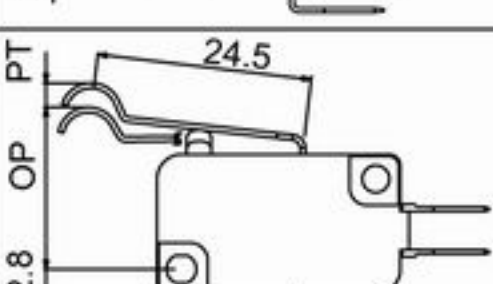
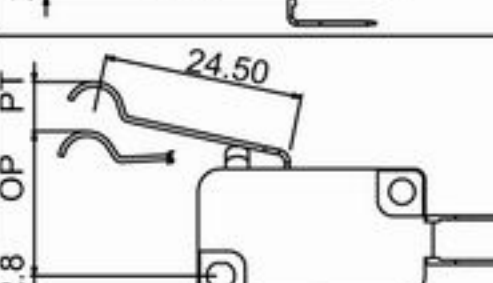
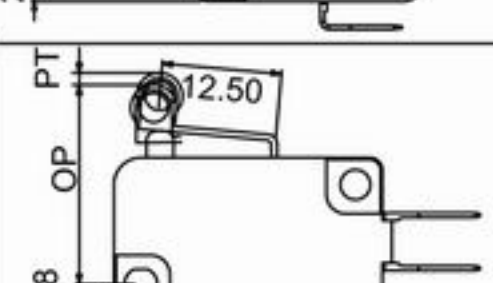
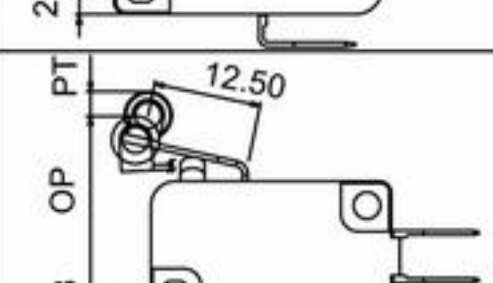
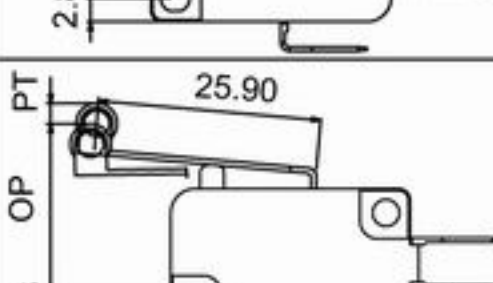
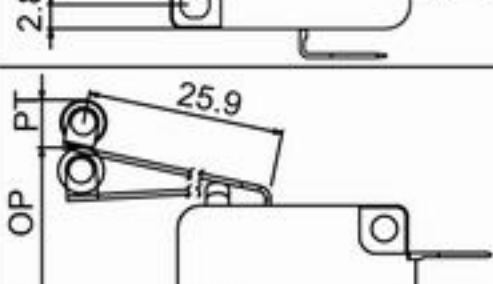
2-Ø3.1 mounting holes
or M3screw holes



ORDERING INFORMATION

V A 1		0 6		H	0	0 1	D	0	Z		
SERIES PREFIX	C O D E	RATING CURRENT	C O D E	OPERATING FORCE	C O D E	ACTUATOR LEVER FIXED	C O D E	TERMINAL TYPE	C O D E	CIRCUIT ARRANGEMENT	ROHS
	P1	0.1A;125/250 VAC		Q HEAVIER			00	250 SERIES (C)	0	S.P.D.T	
	03	3A;125/250 VAC		H HEAVY			01	187 SERIES (D)	1	S.P.S.T. NO	
	06	6,6.1(2.5)A;125/250VAC		S STANDARD			02	250 SERIES (E)	2	S.P.S.T. NC	
	10	10,10(4)A;125/250VAC		L LIGHT			03	250 SERIES (F)			
	16	16.1,16(4);125/250VAC		J SLIGHT			04	250 SERIES (G)			
	20/H	20,20(4)A;125/250VAC		D LIGHTNESS			05				
	26/Q	26A;125/250 VAC					06				

ORDERING CHARACTERISTICS

SWITCH TYPE	PART SUFFIX	OF Max(gf)						OP (mm)	PT Max (mm)	OT Min (mm)	MD Max (mm)
		D	J	L	S	H	Q				
VA1-□□□0-00D0-Z		50	100	150	200	300	350	14.7±0.5	1.9	1	0.4
VA1-□□□1-01D0-Z		60	110	140	190	290	340	15.3±0.5	28	1	0.5
VA1-□□□2-01D0-Z		40	60	90	120	160	190	15.3±1.1	5.2	0.6	0.9
VA1-□□□1-02D0-Z		35	55	90	110	160	185	15.3±1.1	5.9	1.2	1
VA1-□□□2-02D0-Z		20	35	50	65	95	110	15.3±2.1	9.7	3.4	2.2
VA1-□□□1-03D0-Z		20	35	50	65	95	110	15.3±2.4	9.3	-	2.1
VA1-□□□2-03D0-Z		15	25	35	40	60	75	15.3±4.1	16.2	-	3.5
VA1-□□□1-04D0-Z		35	65	90	120	175	205	18.7±1.3	5.5	1.9	1.1
VA1-□□□2-04D0-Z		20	40	55	70	100	120	18.7±2.0	8.7	3.2	1.7
VA1-□□□1-05D0-Z		60	110	223	220	310	375	20.7±0.6	2.7	1.1	0.45
VA1-□□□2-05D0-Z		35	65	95	120	180	210	20.7±1.0	4.65	0.8	0.8
VA1-□□□1-06D0-Z		30	60	120	125	165	200	20.45±1.6	3.8	1.6	1.25
VA1-□□□2-06D0-Z		20	35	55	65	100	115	20.45±2.1	9.2	3.3	1.8

*There is another series of VA1 with MD reduced to 63%