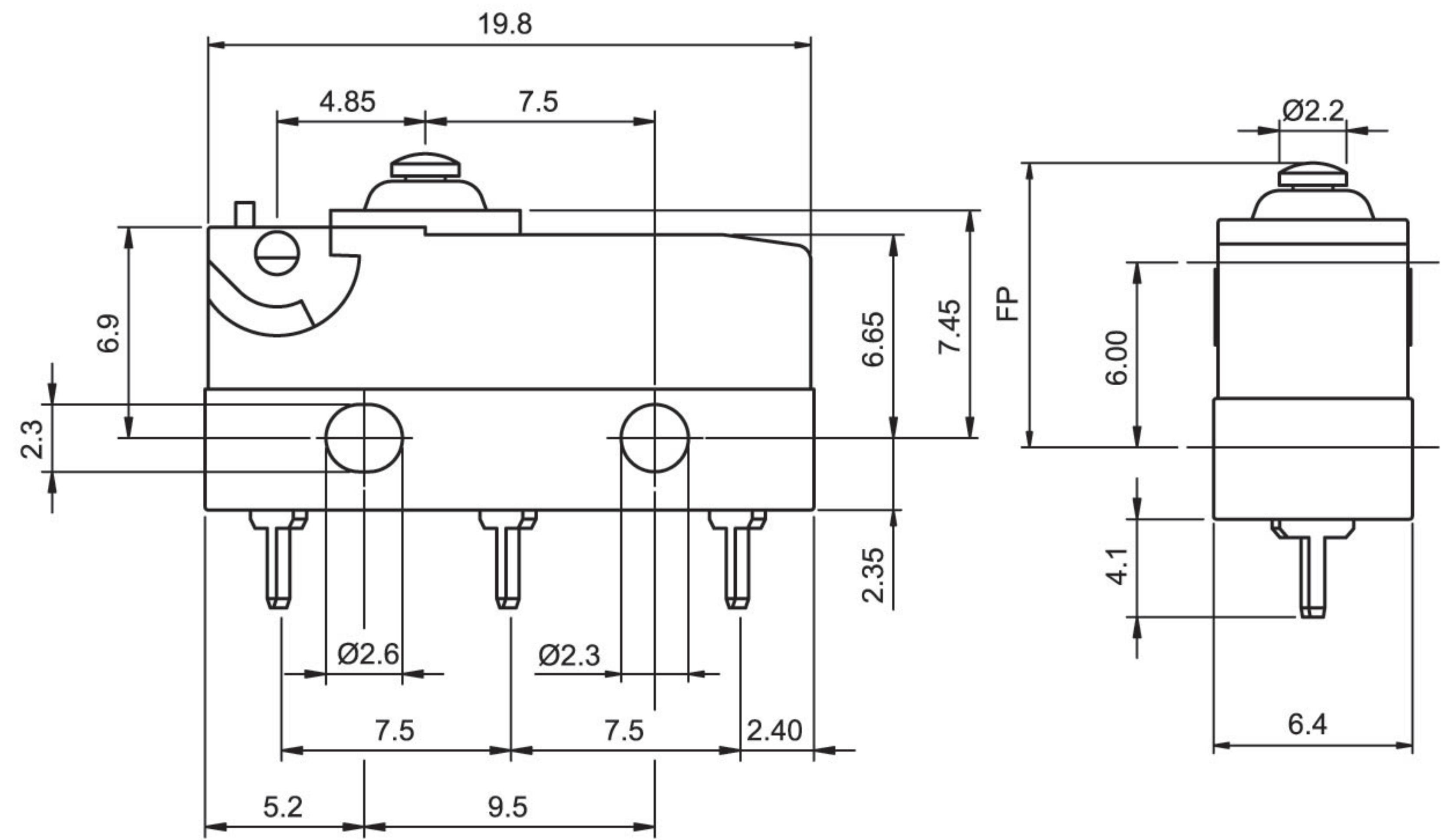


SW SERIES

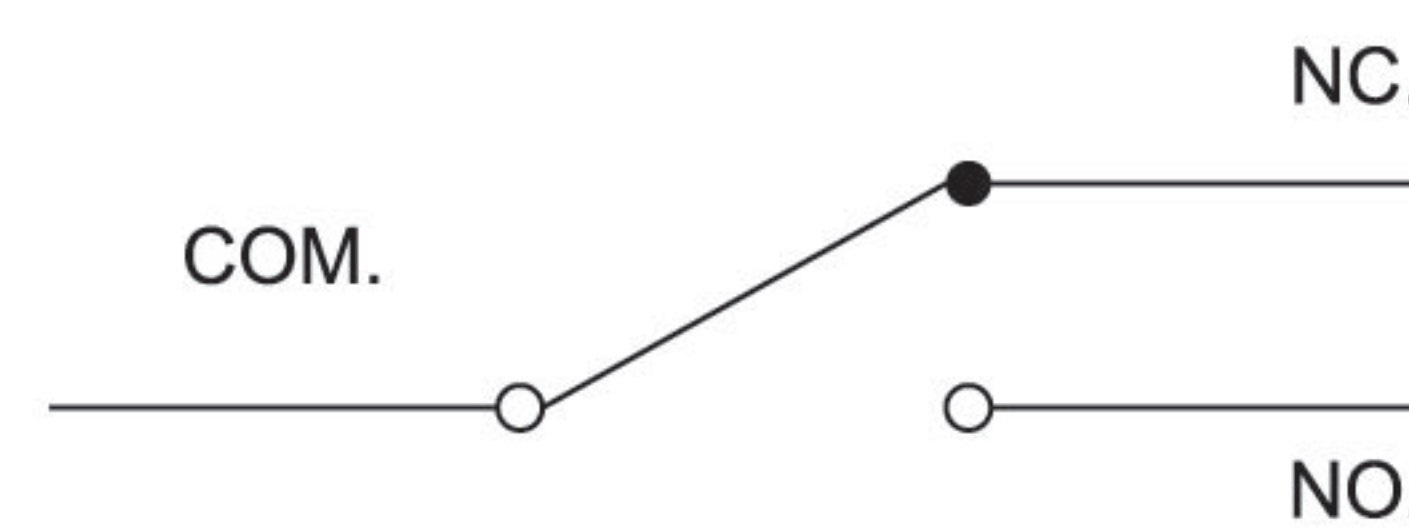
DIMENSIONS (Unless otherwise specified, a tolerance of ±0.4 mm applies to all dimensions.)



SPECIFICATIONS

- Contact Resistance (initial).....Max. 30mΩ
- Insulation Resistance (at 500VDC/minute).....Min. 100MΩ
- Dielectric Strength..... 1000VAC (50~60Hz)
- Storage Temperature Range..... -25°C to 85°C
- Storage Humidity.....at 40°C, Max. 85% R.H
- Operating Temperature range0°C to 120°C
- Vibration.....10~55Hz, displacement 0.75mm (p-p)
- Electrical Service Life.....Min. 10,000 operations
- Electrical Operating Frequency.....10~30 operations per minute
- Mechanical Service Life.....Min. 2,000,000 operations
- Mechanical Operating Frequency.....120 operations per minute

CONTACT CONFIGURATION



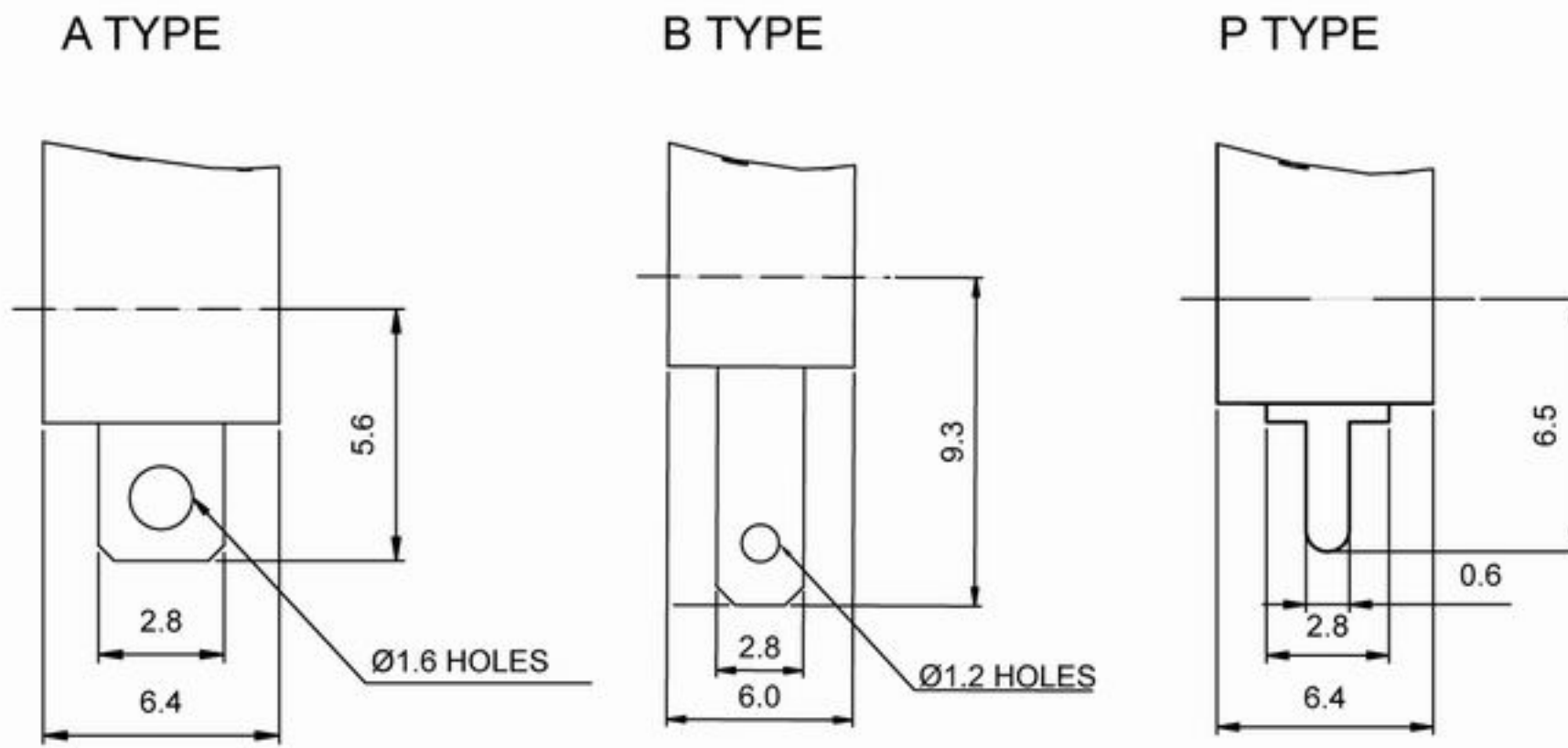
APPLICATION

Telephone, Air conditioner, Computer, Humidifier, Alarm, Time recorder, Mixer & Chopper, Solder gun, Neon Phone, Fax machine, Joystick, Water pump, Gas detector, Pencil sharpener, Money sorter, Food processor, Electric knife, Toy car, Juicer, Electric steak pan.

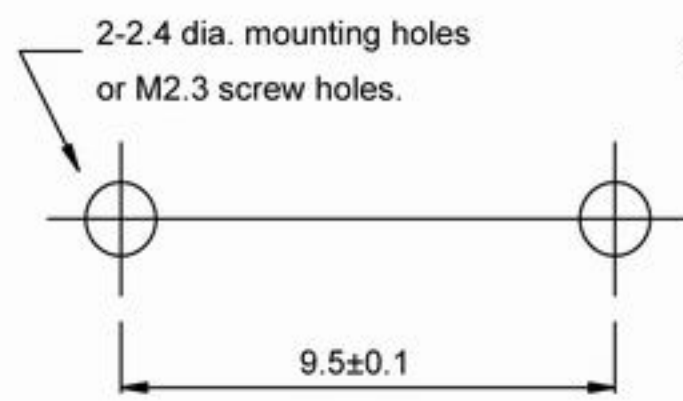
CERTIFICATE INFORMATION

Model Name	UL, cUL	ENEC14
SW-05S	0.1A/5A 125/250VAC (Temp:120°C), Min. 6,000 operations	6A 250VAC,u T70 1E4 (PVC cable) 6A 250VAC,u T120 1E4 (High heat resistant cable or bare Terminal)

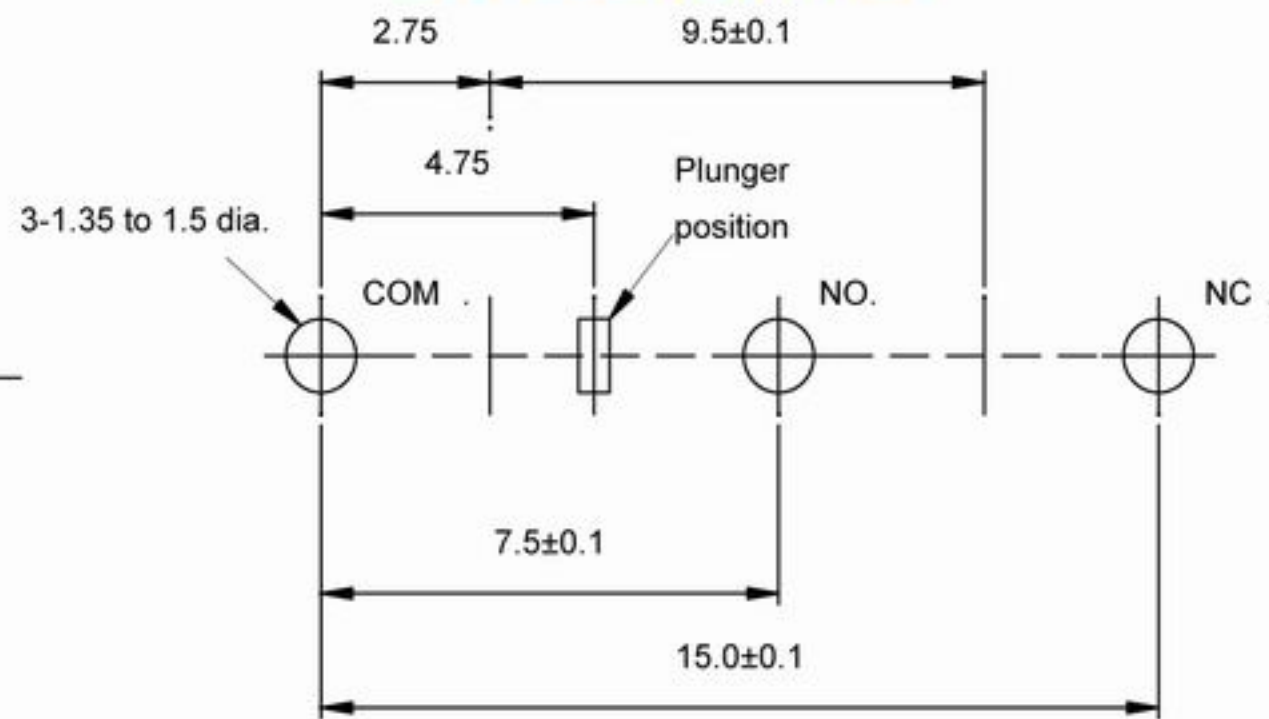
TERMINAL TYPES



MOUNTING HOLES



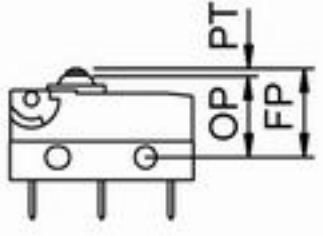
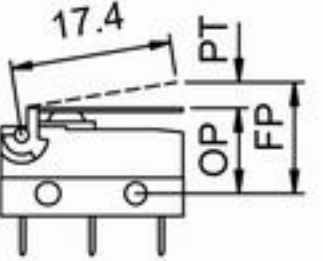
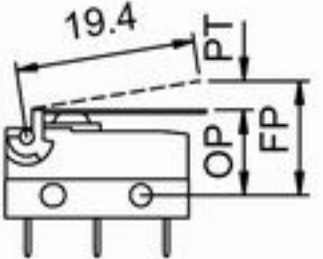
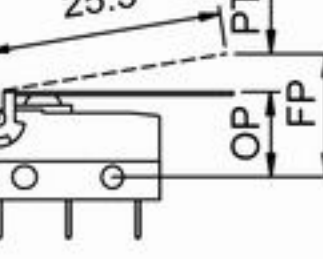
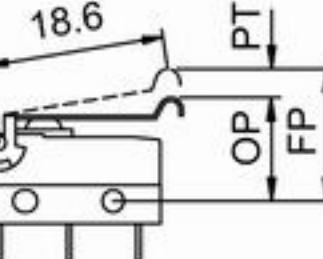
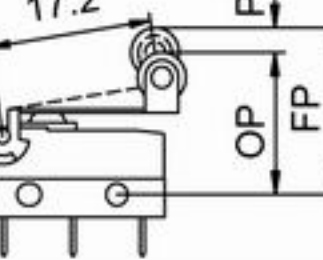
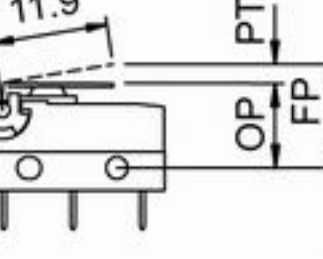
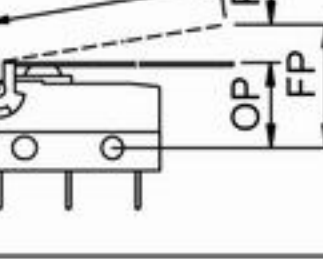
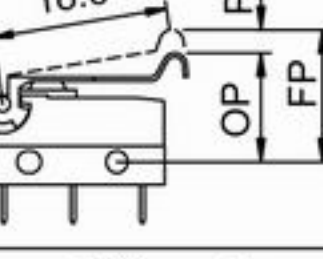
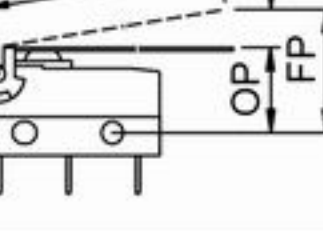
MOUNTING HOLES for PCB terminal



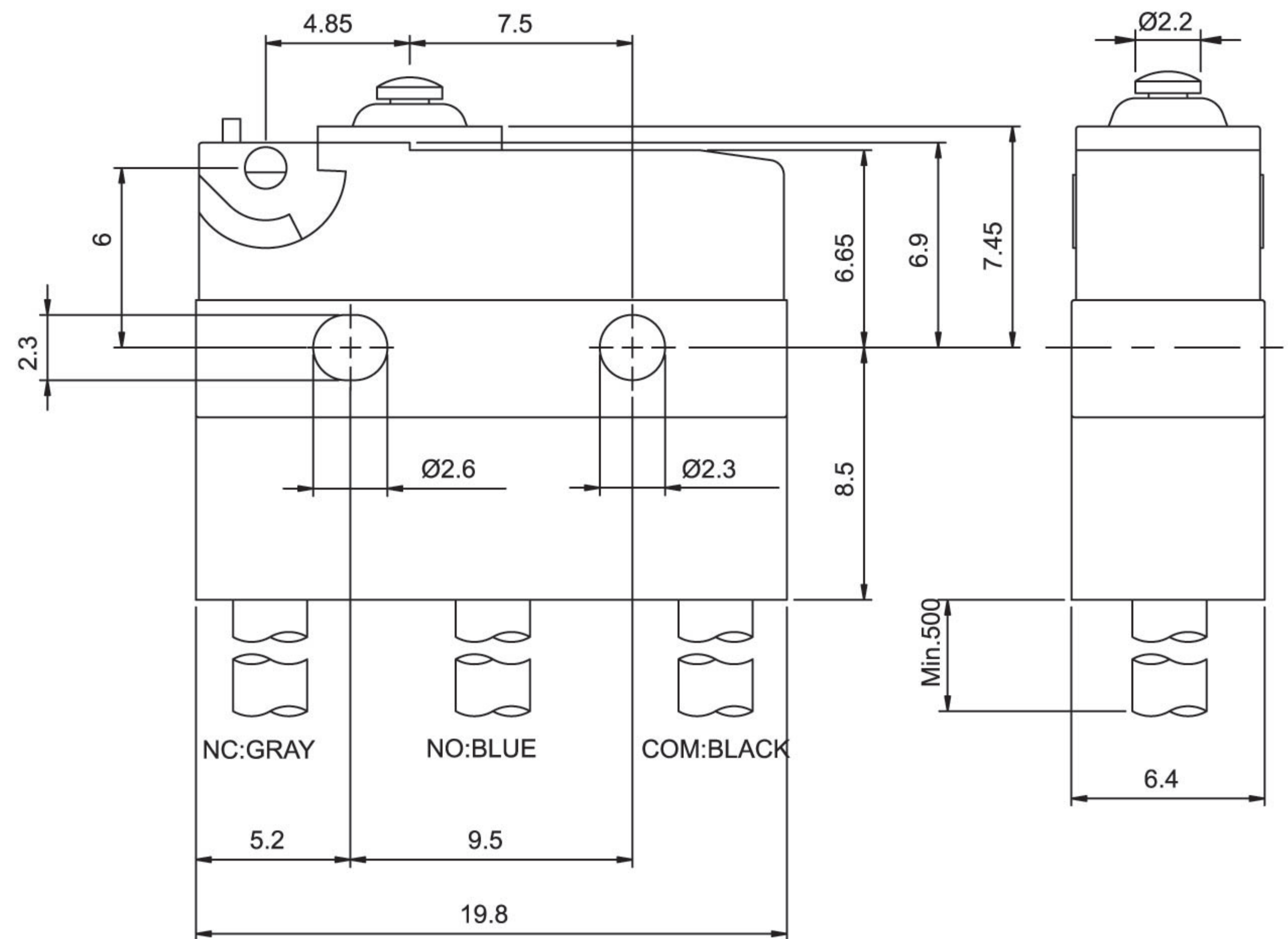
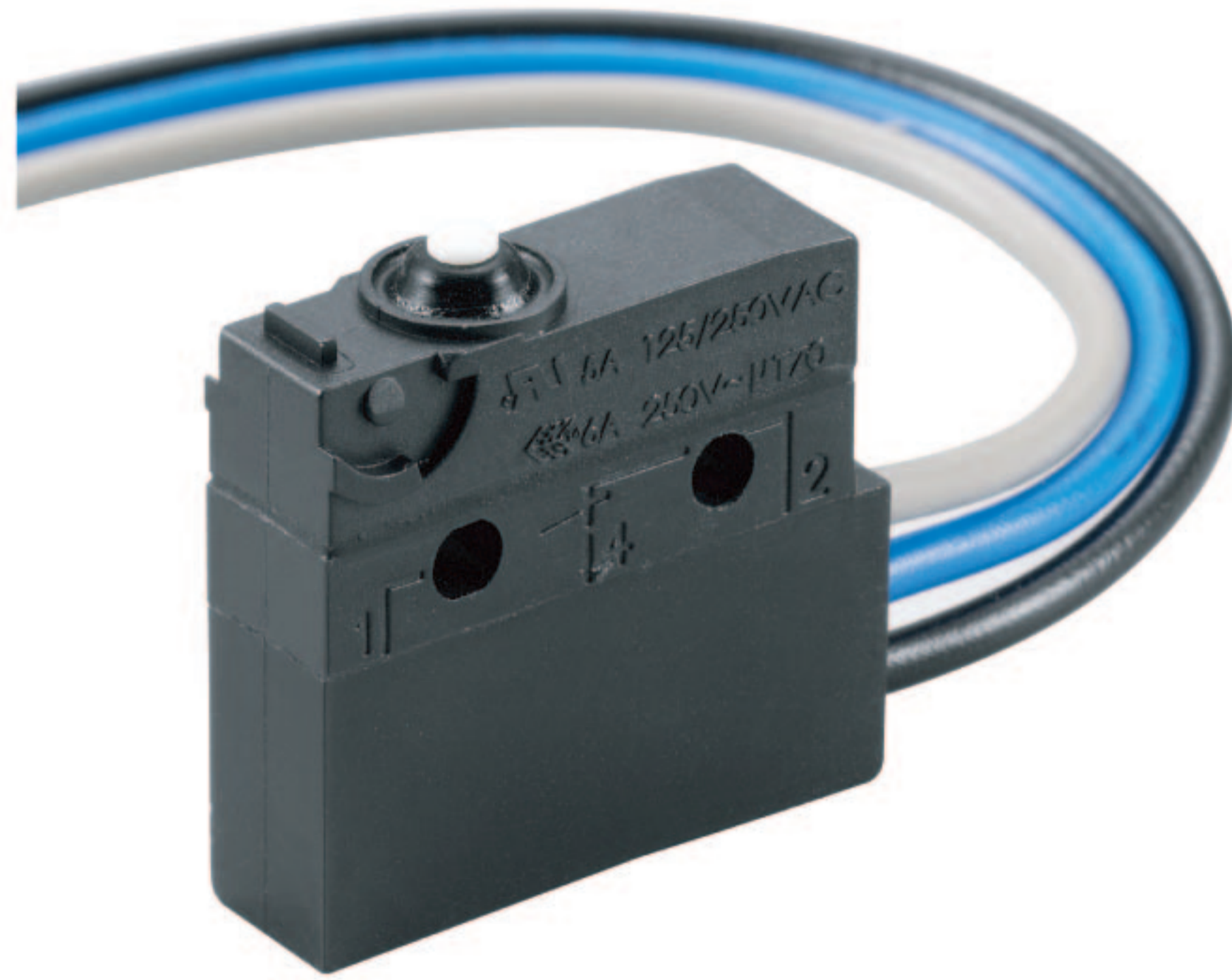
ORDERING INFORMATION

S	W	—	0	5	S	—	0	0	A	0	—	Z
SERIES PREFIX	CODE	RATING CURRENT	CODE	OPERATING FORCE	CODE	ACTUATOR TYPE	CODE	TERMINAL TYPE	CODE	CIRCUIT ARRANGEMENT	ROHS CODE	
	05	5A 125/250 VAC 6A 125/250 VAC	S	STANDARD	00		A	SOLDER TERMINAL(A)	0	S.P.D.T		
					01		B	QUICK CONNECT TERMINAL#110(B)	1	S.P.S.T NO		
					02		P	PCB TERMINAL(P)	2	S.P.S.T NC		
					03							
					04							
					05							
					06							
					07							
					08							
					09							

ORDERING CHARACTERISTICS

SWITCH TYPE	PART SUFFIX	OF Max. (gf)	OP (mm)	PT Max. (mm)	OT Min. (mm)	MD Max. (mm)	FP Max. (mm)	RF Min. (gf)
SW-05S-00 □□-Z		203	8.4 ±0.3	1.2	0.6	0.2	9.9	50
SW-05S-01 □□-Z		82	8.8 ±1.1	4.3	0.9	0.6	12.0	16
SW-05S-02 □□-Z		66	8.8 ±1.2	4.8	1.0	0.7	12.4	13
SW-05S-03 □□-Z		54	8.8 ±1.6	6.3	1.6	0.9	13.5	11
SW-05S-04 □□-Z		68	10.7 ±1.2	4.6	1.0	0.65	14.1	14
SW-05S-05 □□-Z		72	14.5 ±1.1	4.3	0.9	0.6	17.7	15
SW-05S-06 □□-Z		98	8.8 ±0.9	3.2	0.6	0.5	11.1	21
SW-05S-07 □□-Z		39	8.8 ±2.6	10.1	2.1	1.4	16.3	8
SW-05S-08 □□-Z		68	11.3 ±1.3	4.9	0.95	0.8	14.9	13
SW-05S-09 □□-Z		33	8.8 ±0.35	13.8	2.9	2	19.1	7

SW SERIES (IP67)



CERTIFICATE INFORMATION

Model Name	UL, cUL	ENEC14
SW-05S	0.1A/5A 125/250VAC (Temp:120°C), Min. 6,000 operations	6A 250VAC,u T70 1E4 (PVC cable) 6A 250VAC,u T120 1E4 (High heat resistant cable or bare Terminal)

ORDERING INFORMATION

