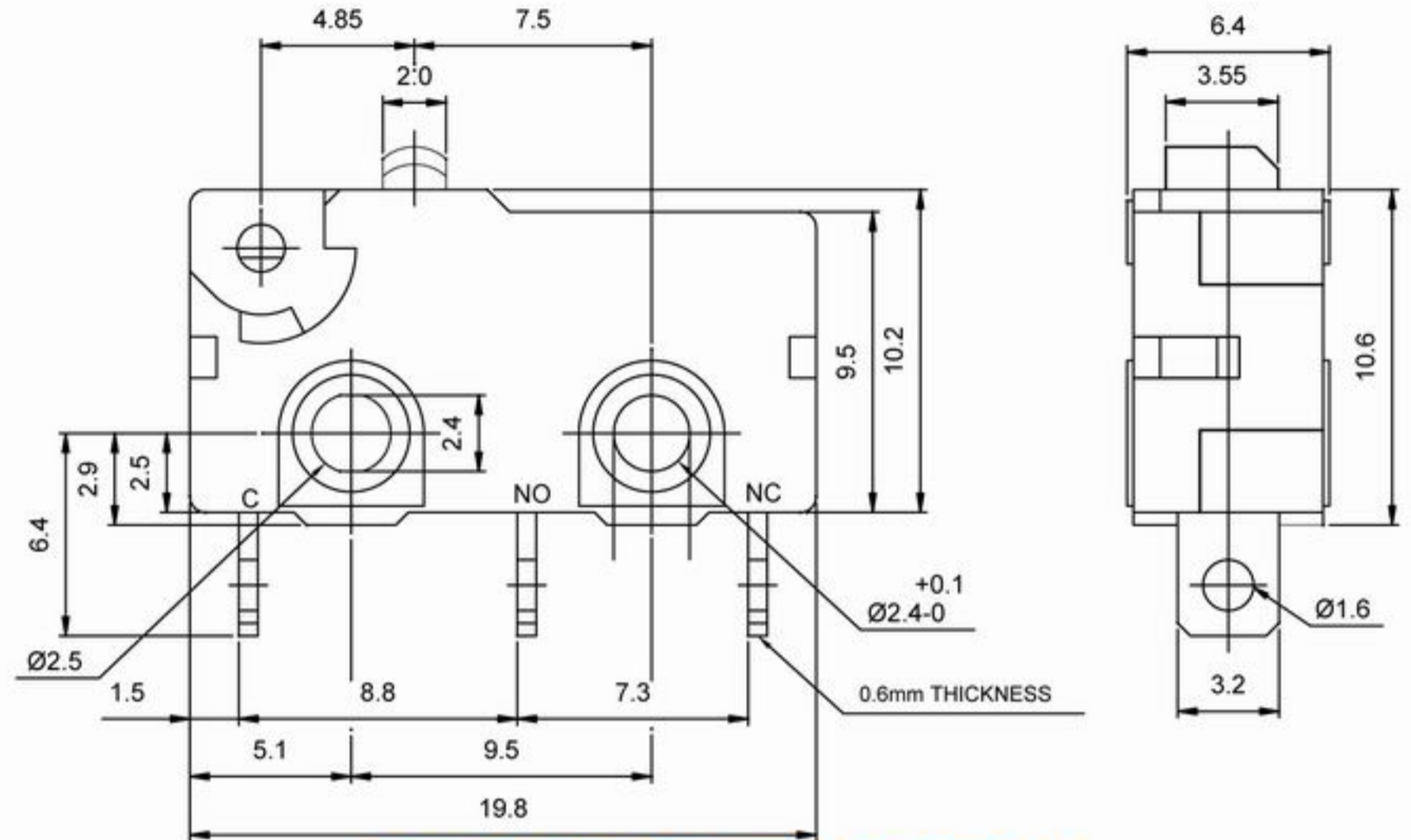


**SMV SERIES**

DIMENSIONS (Unless otherwise specified, a tolerance of ±0.4 mm applies to all dimensions.)



**CONTACT CONFIGURATION**



**SPECIFICATIONS**

- Contact Resistance (initial).....Max. 300mΩ
- Insulation Resistance (at 500VDC/minute).....Min. 100MΩ
- Dielectric Strength..... 1000VAC (50~60Hz)
- Storage Temperature Range..... -25°C to 85°C
- Storage Humidity .....at 40°C, Max. 85% R.H
- Operating Temperature range ..... -40°C to 125°C
- Vibration.....10~55Hz, displacement 0.75mm (p-p)
- Electrical Service Life.....0.1A - Min. 1,000 000 operations  
Other ratings - Min.10,000 operations
- Electrical Operating Frequency....0.1A - 120 operations per minute  
Other ratings - 10~30 operations per minute
- Mechanical Service Life.....Min. 10,000,000 operations
- Mechanical Operating Frequency.....120 operations per minute

**APPLICATION**

Telephone, Air conditioner, Computer, Humidifier, Alarm, Time recorder, Mixer & Chopper, Solder gun, Neon Phone, Fax machine, Joystick, Water pump, Gas detector, Pencil sharpener, Money sorter, Food processor, Electric knife, Toy car, Juicer, Electric steak pan.

**CERTIFICATE INFORMATION**

Model Name	UL, cUL	ENEC14
SMV-P1	0.1A 125/250VAC/30VDC (Temp:120°C) Min. 10,000 operations	0.1A 250VAC,u 40T125 1E4
SMV-05	5A 125/250VAC(Temp:120°C) Min. 6,000 operations	6A 250VAC,u 40T125 1E4
SMV-10	10.1A 125/250VAC 0.5A 80VDC (Temp:120°C) Min. 6,000 operations	10.1A 125/250VAC, u40T125, 1E4 6(2)A 125/250VAC, u40T125, 1E4 0.5A 80VDC, u40T125, 1E4

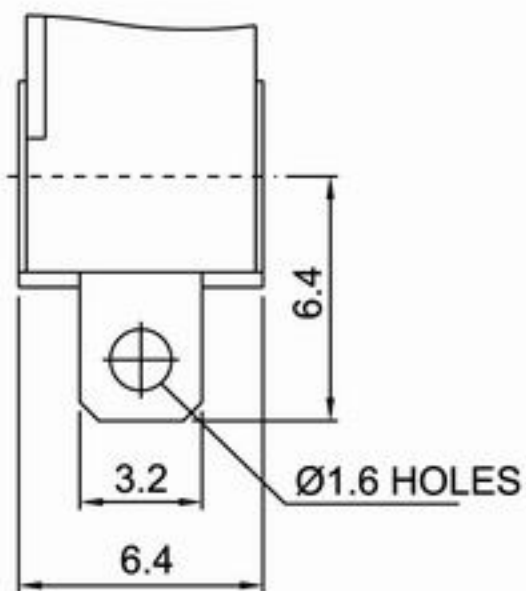
## THE SELECTION OF RATING & FORCE

MODEL	RATING	D	L	S	H	Q	T
SMV	0.1A	*	*	*	*	*	*
	5A			*	*	*	*
	6A			*	*	*	*
	10.1A				*	*	*
	6(2)A				*	*	*

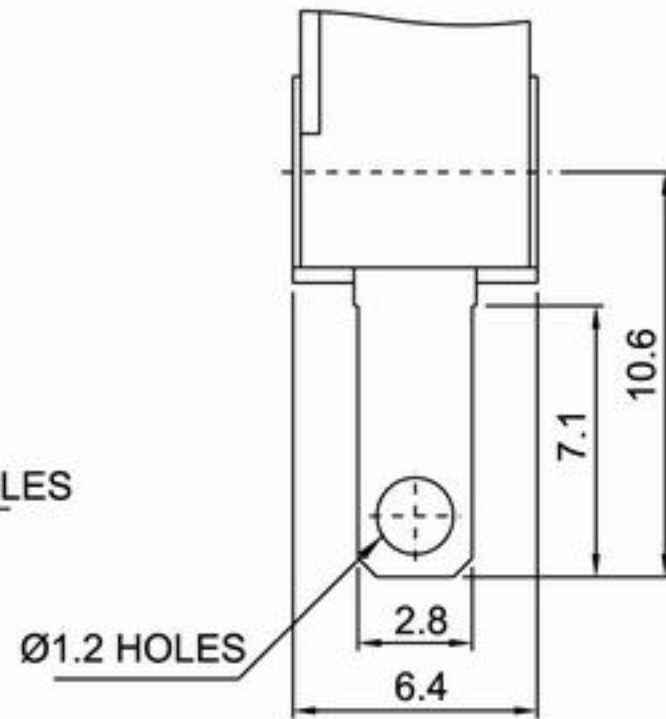
The Symbol “\*” to represent the result is accept

## TERMINAL TYPES (The thickness of each terminal is 0.6mm)

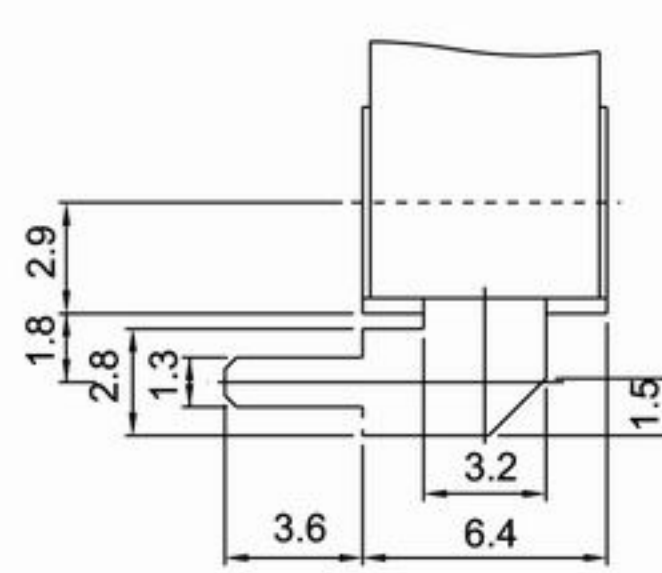
Solder terminal A TYPE



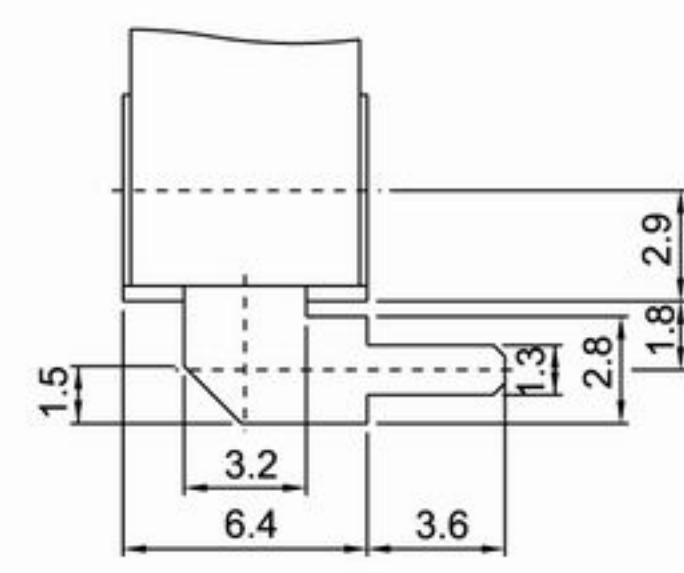
Quick connect terminal B TYPE (#110)



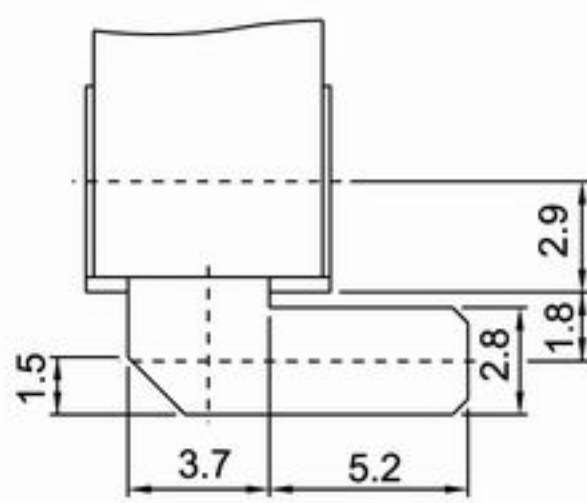
Side PCB terminal C TYPE



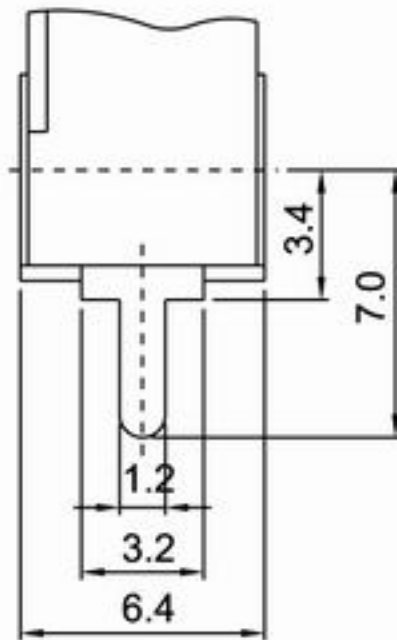
Side PCB terminal D TYPE



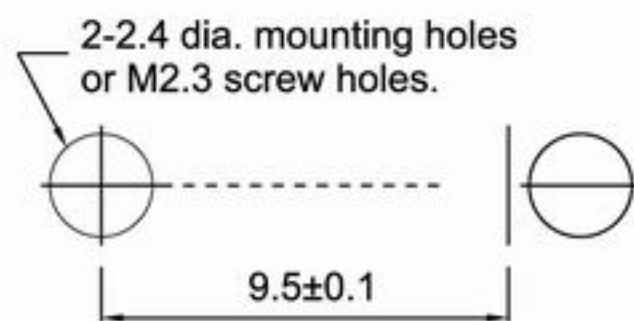
Side PCB terminal E TYPE



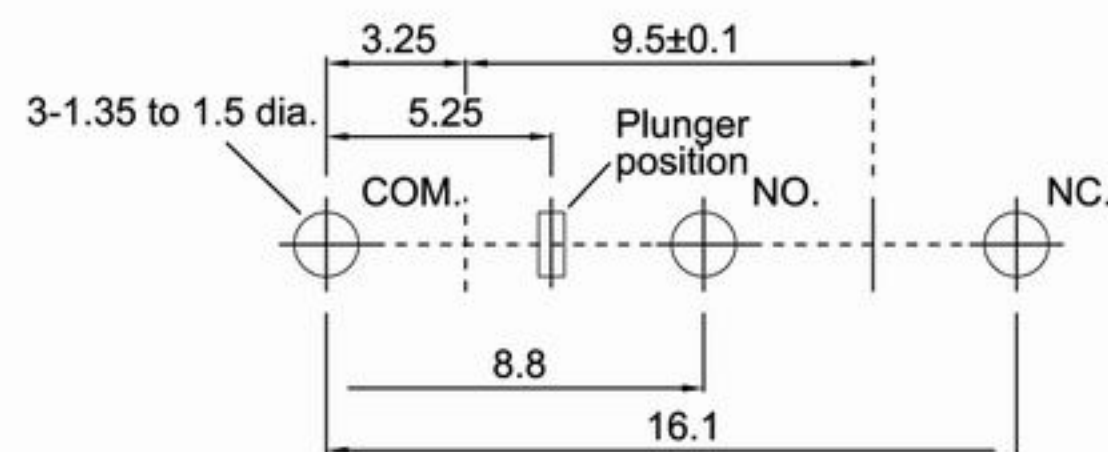
PCB terminal P TYPE









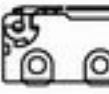
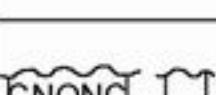

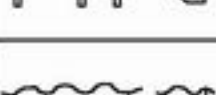






## MOUNTING HOLES



## MOUNTING HOLES FOR PCB TERMINAL



## ORDERING INFORMATION

S M V		0 5		S	0 3		A	0	Z			
SERIES PREFIX		CODE	RATING CURRENT	CODE	OPERATING FORCE	CODE	ACTUATOR TYPE	CODE	TERMINAL TYPE	CODE	CIRCUIT ARRANGEMENT	ROHS CODE
P1			0.1A 125/250 VAC	T	MAX HEAVIER	00		A		0	S.P.D.T	
05			5A 125/250 VAC 6A 125/250 VAC	Q	HEAVIER	01		B		1	S.P.S.T. NO	
10			10.1A 125/250 VAC 6(2)A 125/250 VAC	H	HEAVY	02		C		2	S.P.S.T. NC	
				S	STANDARD	03		D				
				L	LIGHT	04		E				
				D	SLIGHT	05		P				
						06						
						07						
						08						
						09						

SWITCH TYPE	PART SUFFIX	OF Max. (gf)		OP (mm)	PT Max. (mm)	OT Min. (mm)	MD Max. (mm)	FP Max. (mm)	RF Min. (gf)
		H	S						
SMV-□□□-00□-Z		H	249	11.4±0.3	1.1	0.4	0.2	12.2	50
		S	146						35
		L	104						20
SMV-□□□-01□-Z		H	80	11.8±1.1	4.6	0.9	0.8	15.3	14
		S	50						10
		L	35						6
SMV-□□□-02□-Z		H	70	11.8±1.2	5.1	1.0	0.8	15.7	13
		S	45						9
		L	30						5
SMV-□□□-03□-Z		H	55	11.8±1.6	6.9	1.4	1.1	17.1	10
		S	35						7
		L	25						4
SMV-□□□-04□-Z		H	65	13.7±1.1	4.8	1.5	0.8	17.4	13
		S	47						9
		L	33						5
SMV-□□□-05□-Z		H	81	17.5±1.1	4.6	0.9	0.8	21	14
		S	51						9
		L	34						5
SMV-□□□-06□-Z		H	117	11.8±0.8	3.2	0.6	0.6	14.2	20
		S	74						15
		L	52						8
SMV-□□□-07□-Z		H	35	11.8±2.6	10.8	2.1	1.9	20	5
		S	22						4
		L	19						1
SMV-□□□-08□-Z		H	75	14.3±1.18	16.4	0.96	0.86	18.5	13
		S	47						10
		L	35						5
SMV-□□□-09□-Z		H	25	11.8±3.5	14.8	2.8	2.6	23.1	4
		S	16						3
		L	12						1