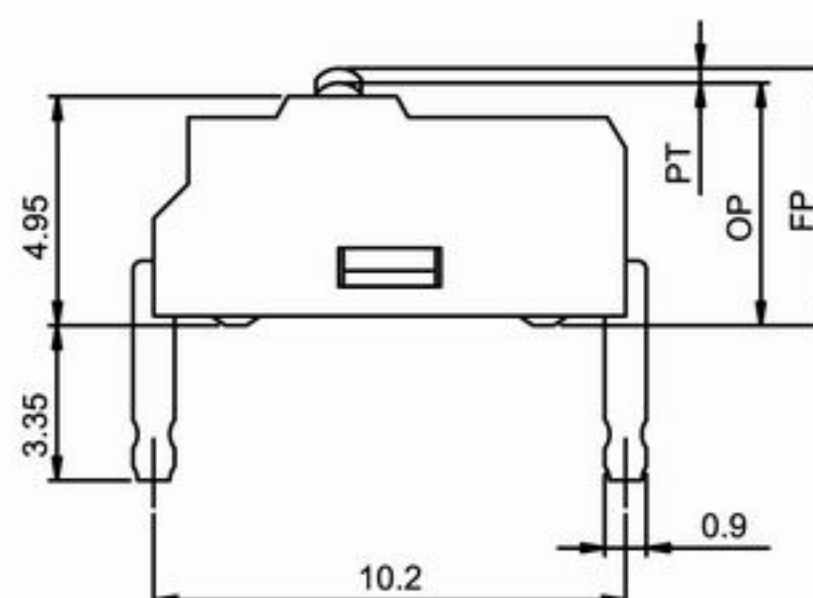
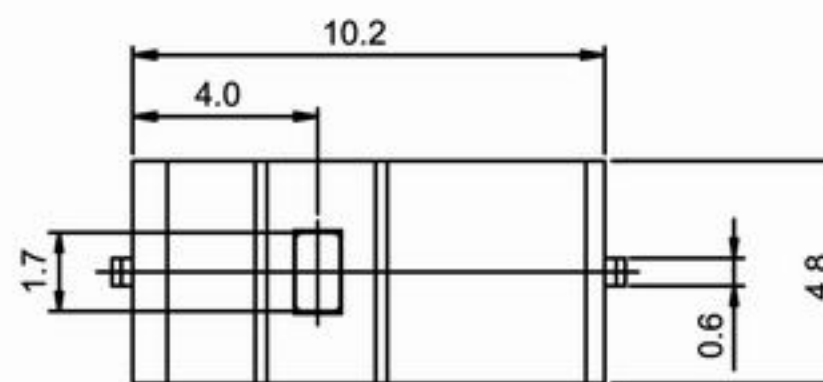




DS1 SERIES

DIMENSIONS (Unless otherwise specified, a tolerance of ±0.4 mm applies to all dimensions.)



SPECIFICATIONS

- Contact Resistance (initial) Max. 300mΩ
- Insulation Resistance (at 250VDC/minute) Min. 100MΩ
- Dielectric Strength 250VAC (50~ 60Hz)
- Storage Temperature Range -25°C to 85°C
- Storage Humidityat 40°C , Max. 85% R.H
- Operating Temperature Range..... 0°C to 55°C
- Vibration 10~55HZ, displacement 0.75 mm (p-p)
- Electrical Service LifeMin. 5,000,000 operations
- Electrical Operating Frequency120 operations per minute
- Mechanical Service Life Min. 5,000,000 operation
- Mechanical Operating Frequency 120 operations per minute

CONTACT CONFIGURATION



RATING

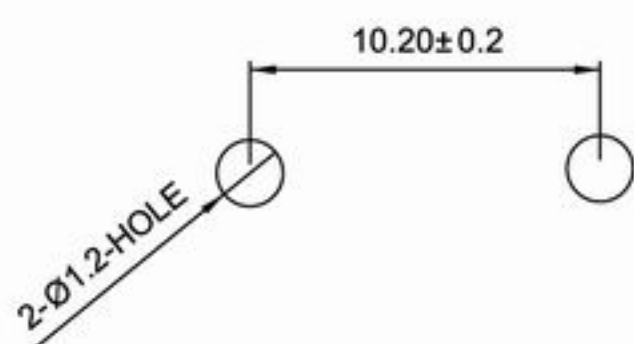
0.1A 12 VDC 0.1A 125 VAC

APPLICATION

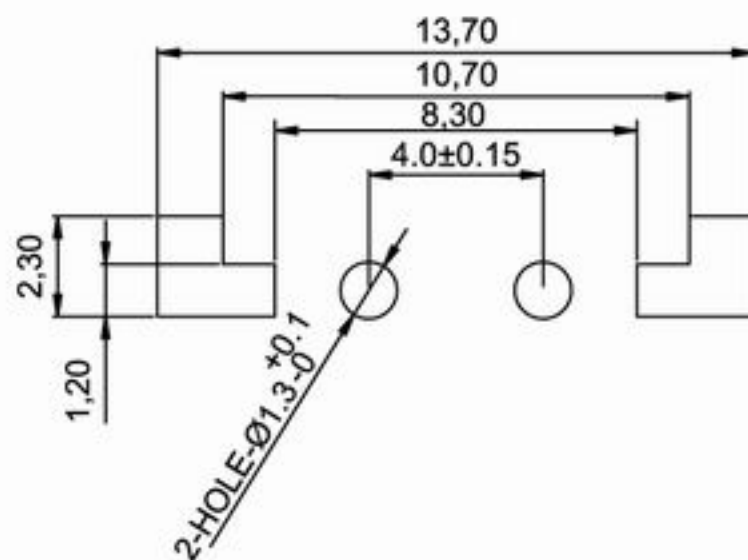
Mouse Joystick

MOUNTING HOLES

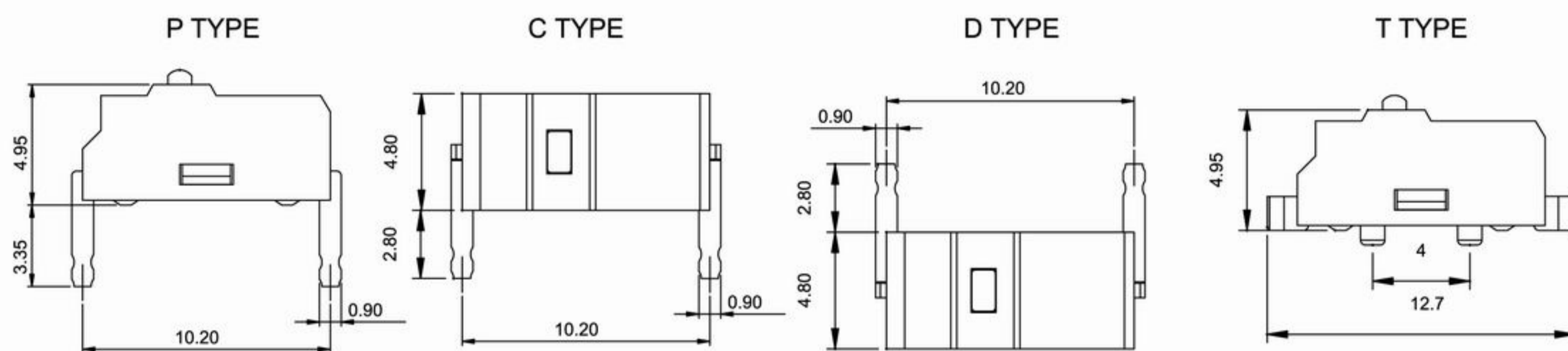
P,C,D Type Terminal



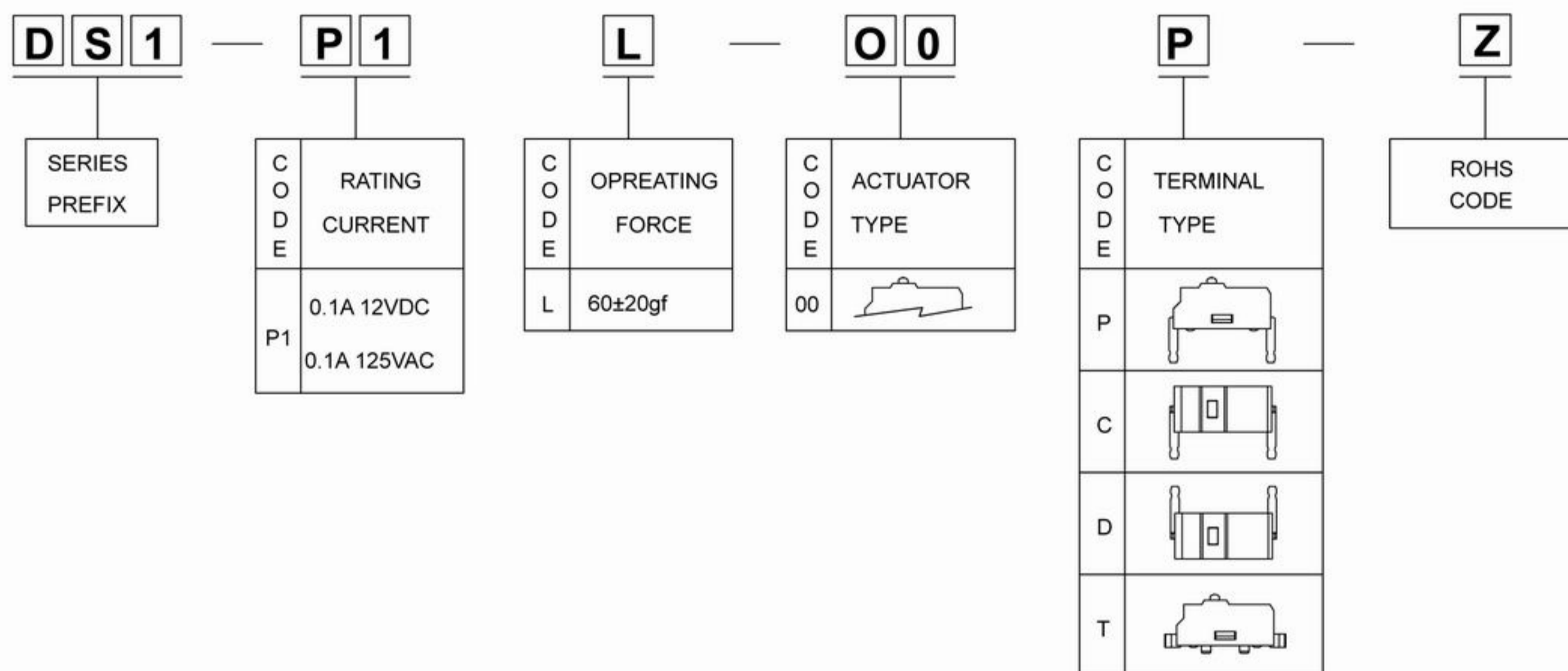
T Type Terminal



TERMINAL TYPES



ORDERING INFORMATION



OPERATING CHARACTERISTICS

SWITCH TYPE	PART SUFFIX	OF (gf)	OP (mm)	PT Max.(mm)	OT Min.(mm)	MD Max.(mm)	RF Max.(gf)	
DS1-P1□-00P-Z		L	60±20	5.25±0.2	0.62	0.15	0.12	15