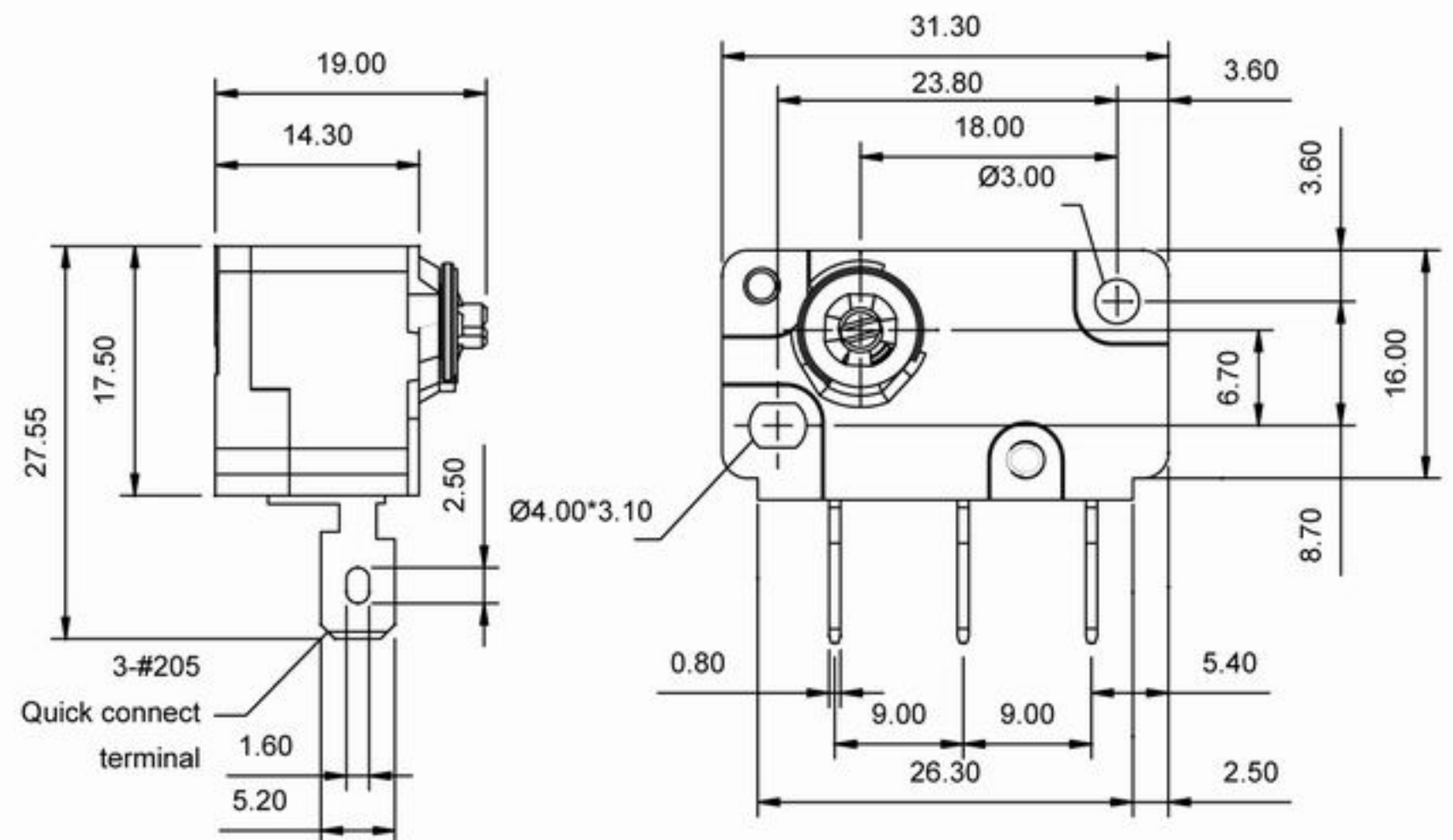


CNR SERIES

DIMENSIONS (Unless otherwise specified, a tolerance of ±0.4 mm applies to all dimensions.)



SPECIFICATIONS

- Insulation Resistance (at 500VDC/minute) Min. 100MΩ
- Dielectric Strength 1000VAC (50~ 60Hz)
- Storage Temperature range -25°C to 85°C
- Storage Humidityat 40°C, Max. 85% R.H
- Operating Temperature Range 0°C to 65°C
- Vibration10~55HZ, displacement 0.75 mm (p-p)
- Electrical Service Life Min. 6,000 operations
- Electrical Operating Frequency10~30 operations per minute
- Mechanical Service Life Min. 10,000,000 operations
- Mechanical Operating Frequency 120 operations per minute

CONTACT CONFIGURATION



RATING

0.1A 30 VDC, 1A 125/250 VAC, 5A 125/250 VAC .0.1A125VAC

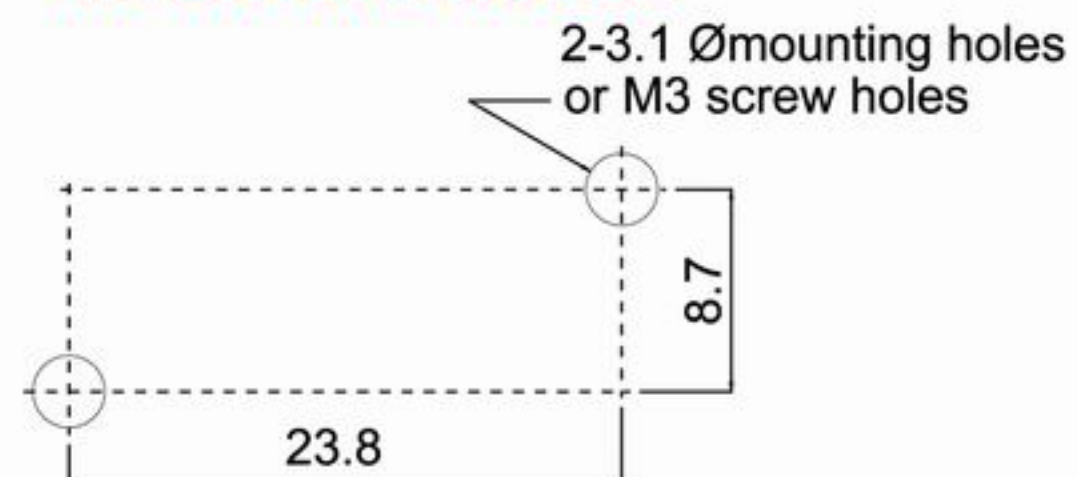
CERTIFICATE INFORMATION

Model Name	UL	CSA
CNR-P1 CNR-05	0.1A 30 VDC 1A/5A 125/250 VAC (Temp:65°C) Min 6,000 operations	0.1 A30 VDC/125 VAC 1A/5A 125/250 VAC Min:6,000 operations

APPLICATION

TV game, Vending Machine, coin-op phone, Pin-Ball game

MOUNTING HOLES

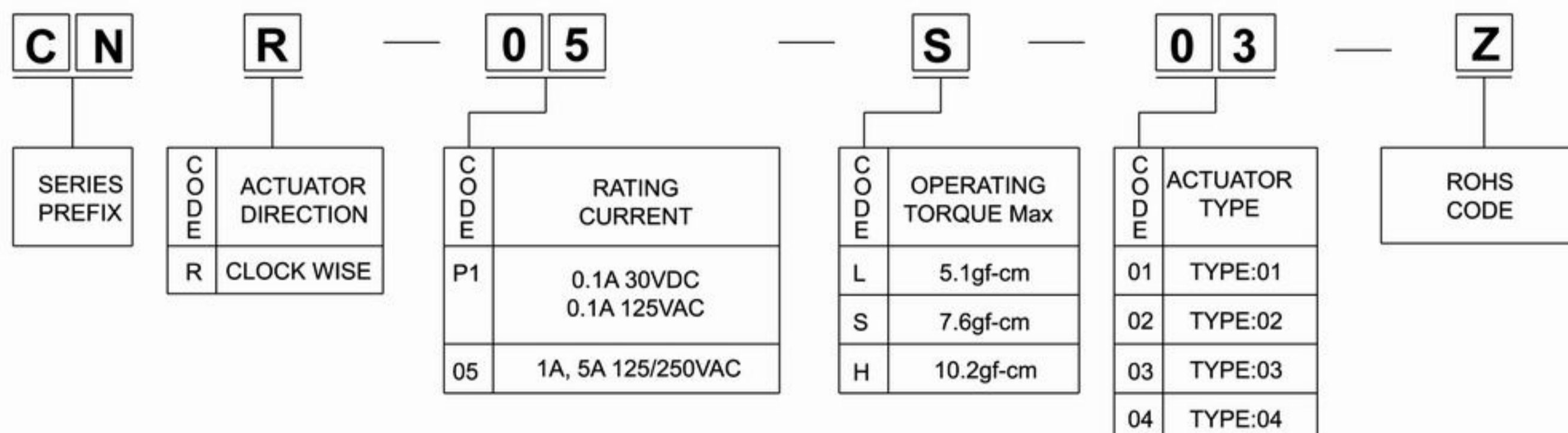


THE SELECTION OF RATING & FORCE

MODEL	RATING	L	S	H
CN	0.1A	*	*	*
	1A		*	*
	5A			*

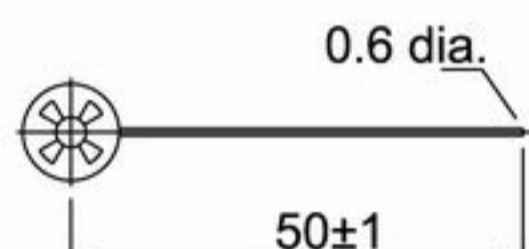
THE Symbol "*" to represent the result is accept

ORDERING INFORMATION

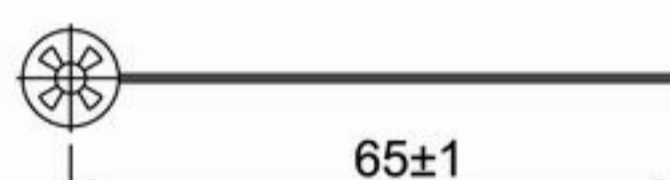


ACTUATOR TYPES

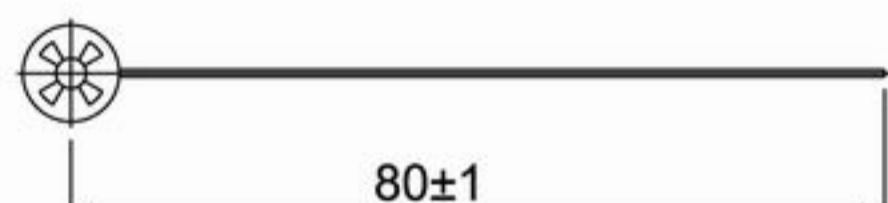
TYPE:01



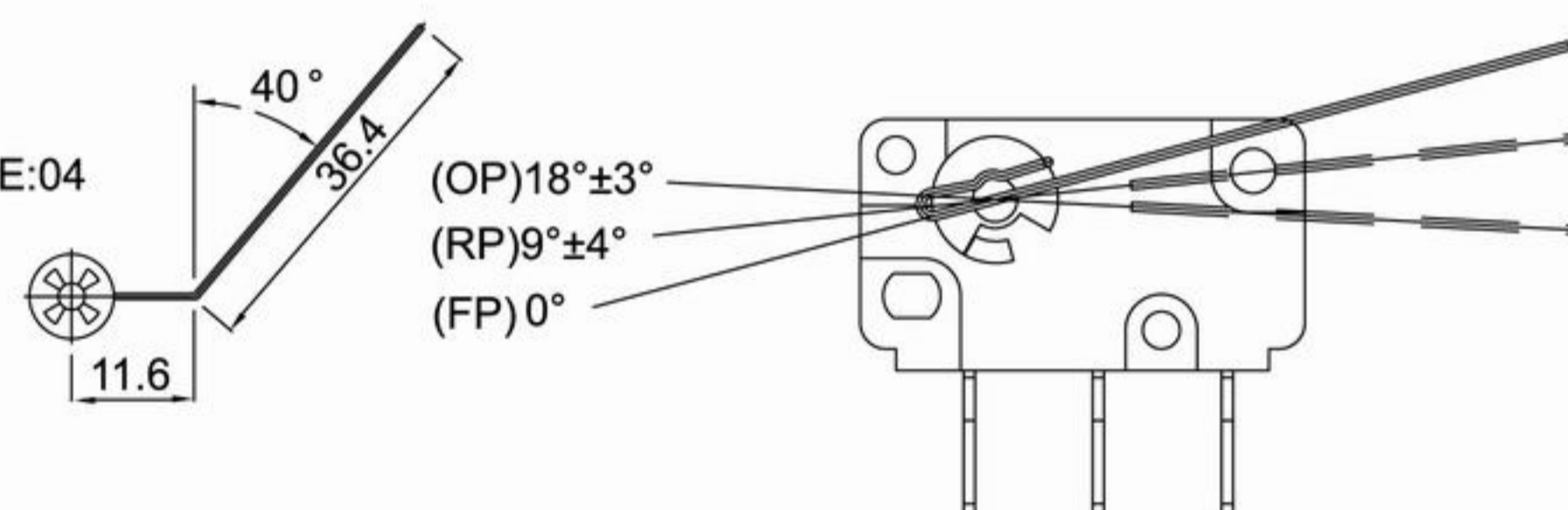
TYPE:02



TYPE:03



TYPE:04



OPERATING CHARACTERISTICS

TYPE	L	S	H
OPERATING FORCE (OF)Max	5.1gf	7.6gf	10.2 gf
RELEASING FORCE (RF) Min	0.6gf	0.69gf	1.3 gf
OPERATING POSITION (OP)	18±3°		
RELEASING POSITION (RP)	9±4°		