

## SPECIFICATIONS:

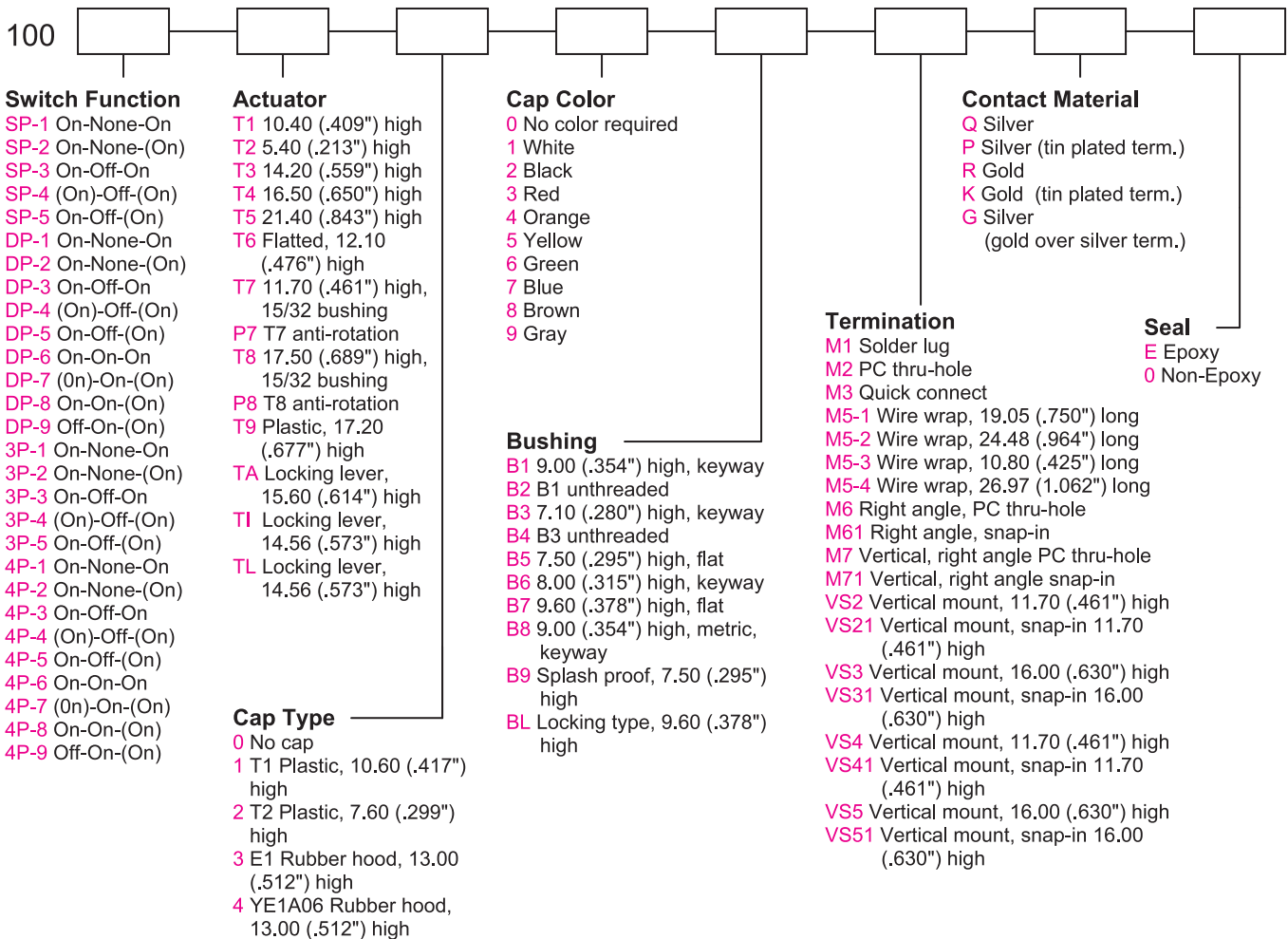
CONTACT RATING: Refer to "Contact Material Options" for more info.  
 ELECTRICAL LIFE: 50,000 make-and-break cycles at full load.  
 CONTACT RESISTANCE: 10mΩmax. initial @2-4VDC  
 100mA for both silver and gold plated contacts.  
 INSULATION RESISTANCE: 1,000MΩmin.  
 DIELECTRIC STRENGTH: 1,500V RMS @ sea level.  
 OPERATING TEMPERATURE: -30°C to +85°C

## MATERIALS:

CASE: Diallyl phthalate(DAP)(UL 94V-0)  
 TOGGLE HANDLE: Brass, chrome plated.  
 BUSHING: Brass, nickel plated.  
 HOUSING: Stainless Steel.  
 TERMINAL SEAL: Epoxy.

If your preferred product configuration is not shown, please contact our sales representative for custom design.

## HOW TO ORDER SYSTEM



**Note:**  
 No cap type required for T9 actuator

# Series 100

# Miniature Toggle Switches

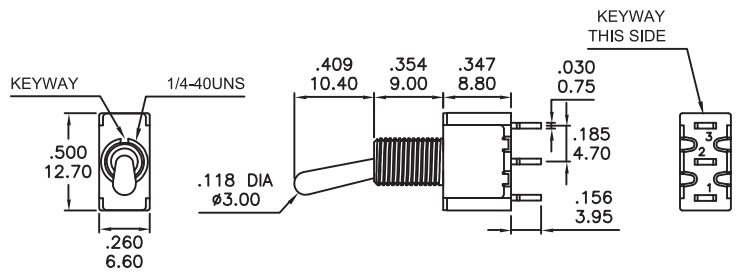
## SPDT



Model No.	Switching Position		
SP-1	ON	NONE	ON
SP-2	ON	NONE	(ON)
SP-3	ON	OFF	ON
SP-4	(ON)	OFF	(ON)
SP-5	ON	OFF	(ON)
Term. Comm.	2-3	OPEN	2-1

Schematic

O2Comm.



## DPDT

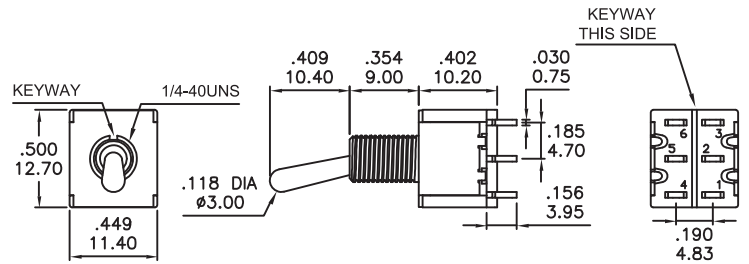


Model No.	Switching Position		
DP-1	ON	NONE	ON
DP-2	ON	NONE	(ON)
DP-3	ON	OFF	ON
DP-4	(ON)	OFF	(ON)
DP-5	ON	OFF	(ON)
Term. Comm.	2-3,5-6	OPEN	2-1,5-4

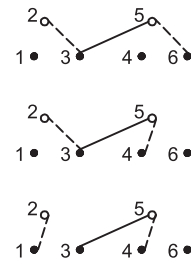
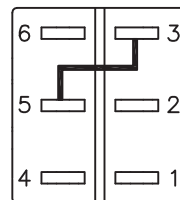
Schematic

O2Comm.

O5Comm.



### WIRING FOR ON-ON-ON (3-WAY) FUNCTION



## 3PDT



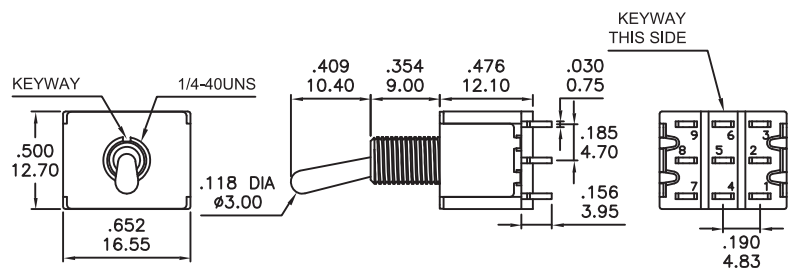
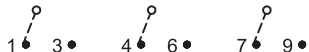
Model No.	Switching Position		
3P-1	ON	NONE	ON
3P-2	ON	NONE	(ON)
3P-3	ON	OFF	ON
3P-4	(ON)	OFF	(ON)
3P-5	ON	OFF	(ON)
Term. Comm.	2-3,5-6 8-9	OPEN	2-1,5-4 8-7

Schematic

O2Comm.

O5Comm.

O8Comm.



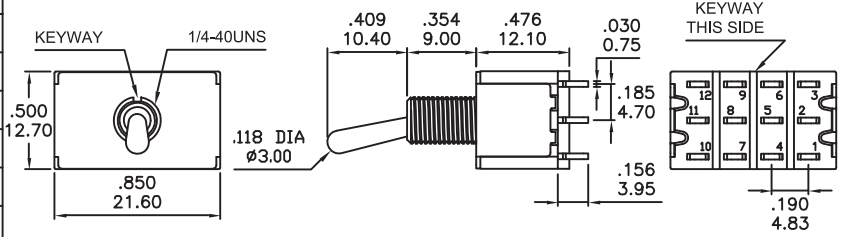
# Series 100

# Miniature Toggle Switches

4PDT

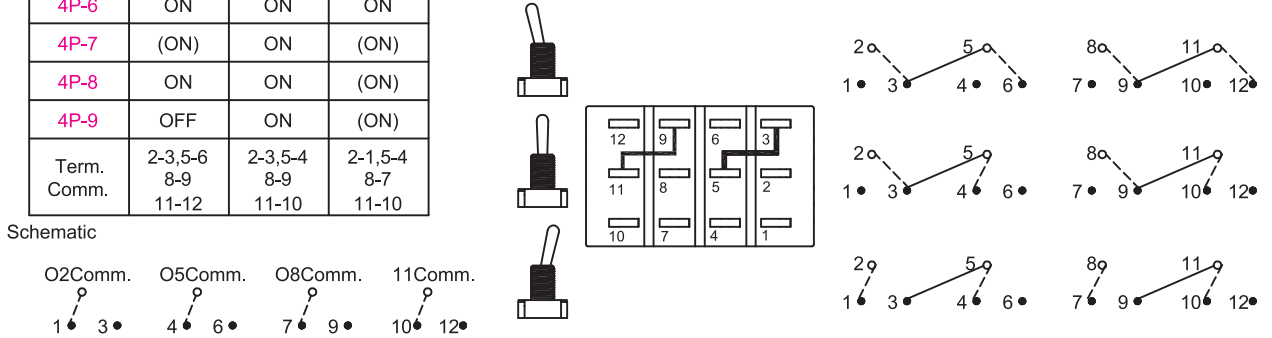


Model No.	Switching Position		
4P-1	ON	NONE	ON
4P-2	ON	NONE	(ON)
4P-3	ON	OFF	ON
4P-4	(ON)	OFF	(ON)
4P-5	ON	OFF	(ON)
Term. Comm.	2-3,5-6 8-9 11-12	OPEN	2-1,5-4 8-7 11-10



Model No.	Switching Position		
4P-6	ON	ON	ON
4P-7	(ON)	ON	(ON)
4P-8	ON	ON	(ON)
4P-9	OFF	ON	(ON)
Term. Comm.	2-3,5-6 8-9 11-12	2-3,5-4 8-9 11-10	2-1,5-4 8-7 11-10

WIRING FOR ON-ON-ON (3-WAY) FUNCTION



## ACTUATOR OPTIONS

<p><b>T1</b></p>	<p><b>T2</b></p>	<p><b>T3</b></p>	<p><b>T4</b></p>	<p><b>T5</b></p>																					
<p><b>T6</b></p>	<p><b>T7</b> <b>P7 ANTI-ROTATION</b></p>	<p><b>T8</b> <b>P8 ANTI-ROTATION</b></p>	<p><b>T9 PLASTIC</b></p>	<table border="1"> <thead> <tr> <th>NO.</th> <th>COLOR</th> </tr> </thead> <tbody> <tr><td>1</td><td>White</td></tr> <tr><td>2</td><td>Black(std.)</td></tr> <tr><td>3</td><td>Red</td></tr> <tr><td>4</td><td>Orange</td></tr> <tr><td>5</td><td>Yellow</td></tr> <tr><td>6</td><td>Green</td></tr> <tr><td>7</td><td>Blue</td></tr> <tr><td>8</td><td>Brown</td></tr> <tr><td>9</td><td>Gray</td></tr> </tbody> </table>	NO.	COLOR	1	White	2	Black(std.)	3	Red	4	Orange	5	Yellow	6	Green	7	Blue	8	Brown	9	Gray	<p><b>T0</b></p>
NO.	COLOR																								
1	White																								
2	Black(std.)																								
3	Red																								
4	Orange																								
5	Yellow																								
6	Green																								
7	Blue																								
8	Brown																								
9	Gray																								

<p><b>LOCKING LEVER</b> <b>TA</b></p> <p>FOR SP-1,DP-1 3P-1,4P-1 ONLY</p>	<p><b>LOCKING LEVER</b> <b>TI</b></p> <p>FOR SP-1,DP-1 3P-1,4P-1 ONLY</p>	<p><b>LOCKING LEVER</b> <b>TL</b></p> <p>FOR SP-1,DP-1 3P-1,4P-1 ONLY</p>
<p>FOR SP-3,DP-3 3P-3,4P-3 ONLY</p>	<p>FOR SP-3,DP-3 3P-3,4P-3 ONLY</p>	<p>FOR SP-3,DP-3 3P-3,4P-3 ONLY</p>

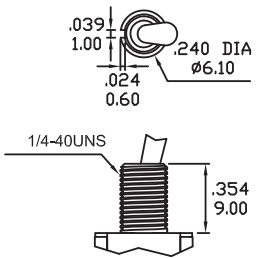
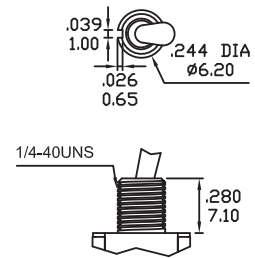
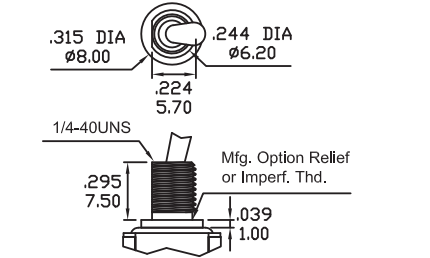
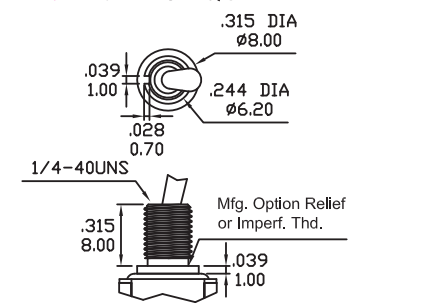
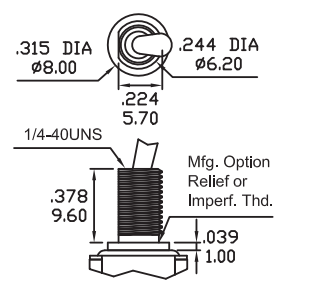
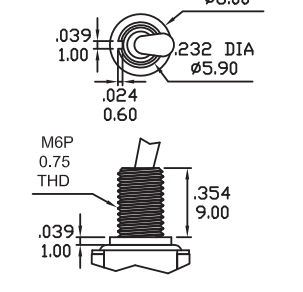
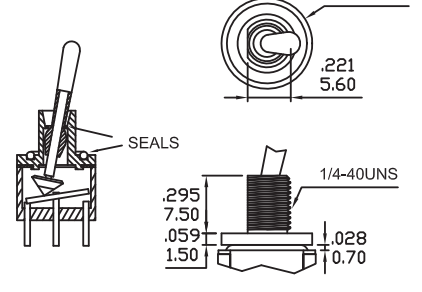
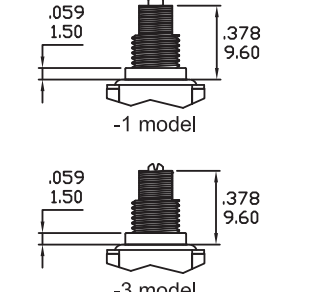
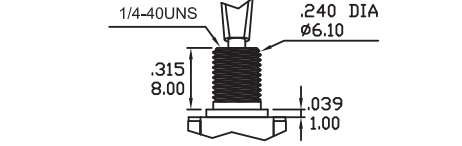
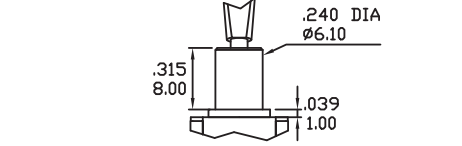
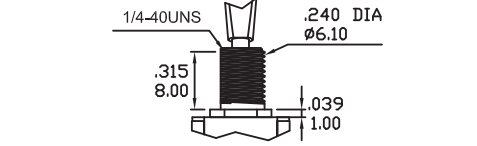
\* T6 must configure with a stand-off bushing.

\* For T7,P7,T8,P8 bushing code is not required.

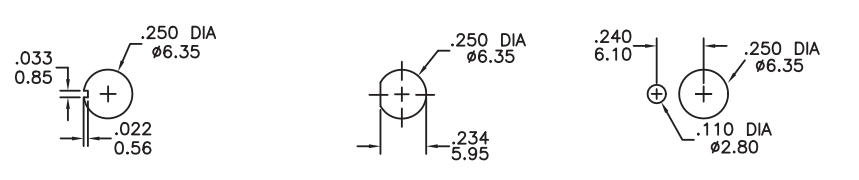
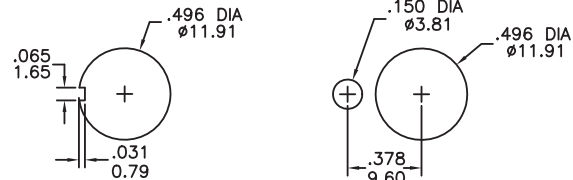
\* Actuator length shown for T1 ~ T5 and T9 ~ T0 is with B1 bushing.

( )=MOMENTARY

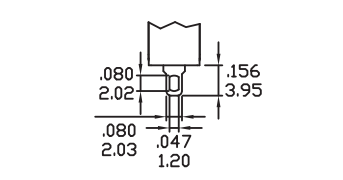
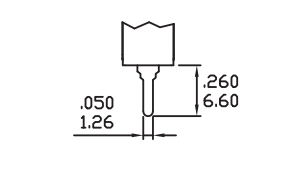
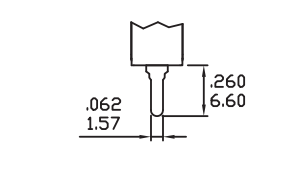
## BUSHING OPTIONS

<p><b>B1 THD</b> <b>B2 NON-THD</b></p> 	<p><b>B3 THD</b> <b>B4 NON-THD</b></p> 	<p><b>B5 HIGH TORQUE</b></p> 	<p><b>B6 HIGH TORQUE</b></p> 
<p><b>B7 LONG</b></p> 	<p><b>B8 METRIC</b></p> 	<p><b>B9 SPLASH-PROOF</b></p> 	<p><b>BL LOCKING LEVER</b></p> 
<p><b>BA THD For T6</b></p> 	<p><b>BB NON-THD For T6</b></p> 	<p><b>BE HIGH TORQUE For T6</b></p> 	

## PANEL MOUNTING

<p><b>1/4 INCH BUSHING</b></p> 	<p><b>15/32 INCH BUSHING</b></p> 
---	---

## TERMINATION OPTIONS

<p><b>M1 STD. SOLDER LUG</b></p> 	<p><b>M2 PC THRU-HOLE</b></p> 	<p><b>M3 QUICK CONNECT</b></p> 	<p><b>M5 WIRE WRAP</b></p>  <table border="1" data-bbox="1276 1814 1532 2049"> <thead> <tr> <th>OPTION CODE</th> <th>DIM.'A'</th> </tr> </thead> <tbody> <tr> <td>M5-1</td> <td>.750(19.05)</td> </tr> <tr> <td>M5-2</td> <td>.964(24.48)</td> </tr> <tr> <td>M5-3</td> <td>.425(10.80)</td> </tr> <tr> <td>M5-4</td> <td>1.062(26.97)</td> </tr> </tbody> </table>	OPTION CODE	DIM.'A'	M5-1	.750(19.05)	M5-2	.964(24.48)	M5-3	.425(10.80)	M5-4	1.062(26.97)
OPTION CODE	DIM.'A'												
M5-1	.750(19.05)												
M5-2	.964(24.48)												
M5-3	.425(10.80)												
M5-4	1.062(26.97)												